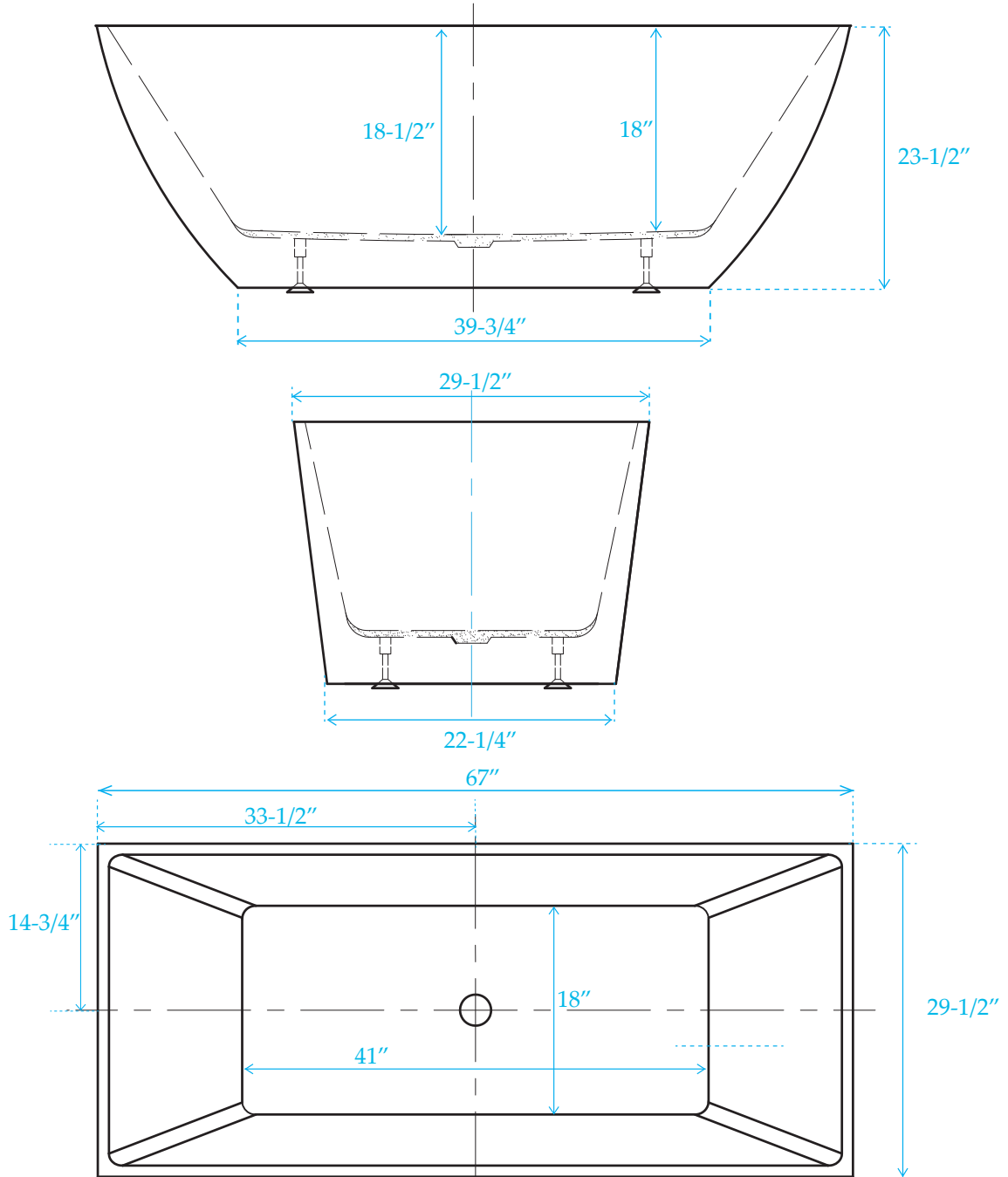


WYNDHAM COLLECTION

Exterior Size - 67"L x 29-1/2"W x 23-1/2"H
Interior Size - 56-1/2"L x 26-1/2"W x 18"H
Depth at Drain - 18-1/2"
Drain To Overflow - 15"
Maximum Fill - 79 Gallons
Note - All Measurements are $\pm 1/2$ "



WC-BTK1505-67