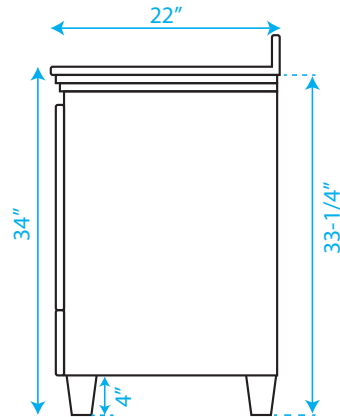
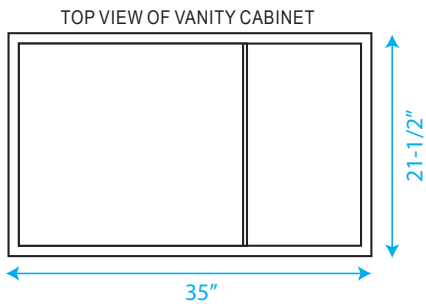
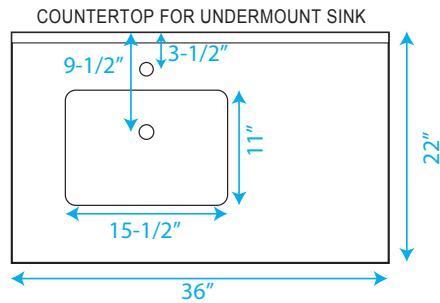
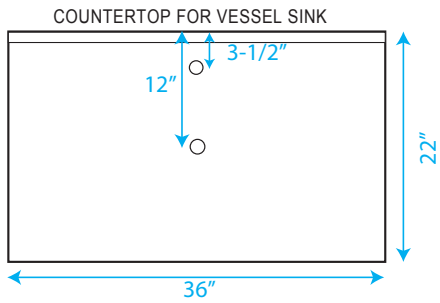
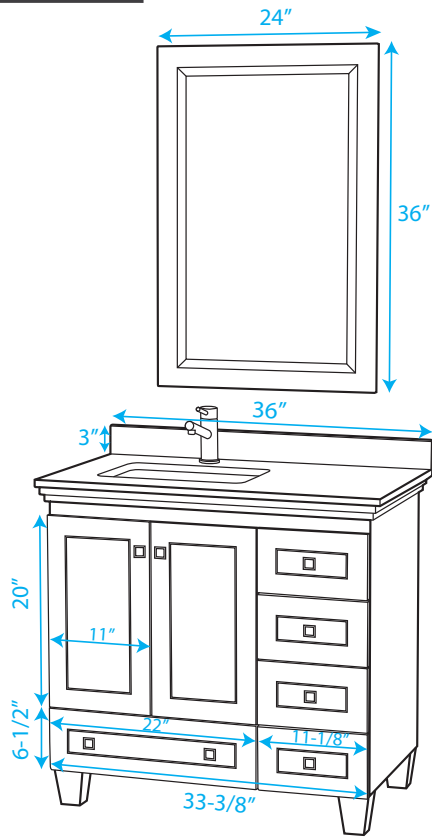
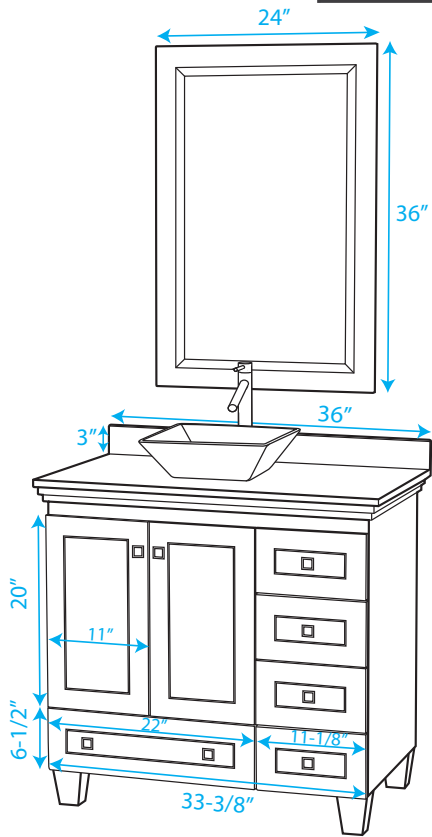


WYNDHAM COLLECTION



Note: All Measurements are $\pm 1/4"$

WC-CG8000-36