

WARRANTY

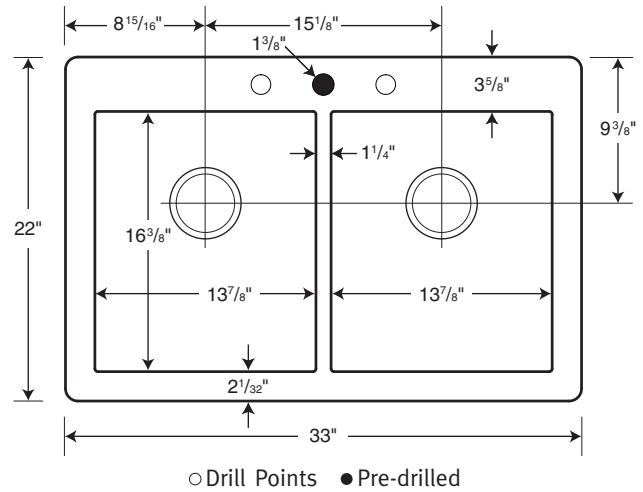
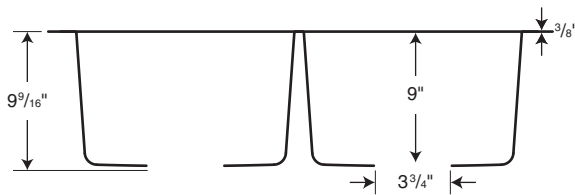
Limited Lifetime – Residential  
Limited 10-year – Commercial

**Manufactured from Quartz**  
(See page 2 for detailed information.)

*Recommended for high-use traffic areas and commercial surfaces.*

### FEATURES

- Made with 80% quartz stone, only a diamond is harder.
- Virtually indestructible, will not damage from kitchen use.
- Standard sink size.
- Ideal for remodeling or new construction.
- Offers design flexibility, installs as a drop-in or undermount.



Capacity: 8-1/2 gallons per each bowl

### SPECIFICATIONS

#### QZSQ-3322 Equal Double Bowl

Model	Part	Nominal Dimensions	Ship Wt. Lb.	Ship FedEx	Carton Dims. In.	Cu. Ft.
QZSQ-3322	QZ03322SQ	33" W x 22" D (838 mm x 559 mm)	48	FedEx	37 x 25 x 13	6.96

### COLORS

(See inside back cover for color sample.)

- Bianca (075)
- Espresso (170)
- Granito (076)
- Metallico (173)
- Nero (077)

### MAINTENANCE AND CLEANING INFORMATION

Clean your Swan Granite Sink by using warm water and a soft clean cloth, sponge or Mr. Clean® Magic Eraser®. Non-abrasive liquid cleaners and detergents can also be used. Hard water, calcium and lime deposits can be removed with white vinegar on a paper towel and rinsing after 20 minutes. To restore luster and extend time between cleanings Weiman® Granite Cleaner & Polish is recommended. Staining liquids, such as dyes and vegetable juices should be rinsed off as soon as possible. **Do not** use abrasive cleaners, metal-scouring pads, and bleach or alkali cleaners, such as ammonia.

### STANDARDS AND RATINGS

American National Standard Institute—ANSI Z124.6  
International Association of Plumbing and Mechanical Officials (IAPMO) – listed  
cUPC listed – Certified to CSA Standard B45 by IAPMO  
Heat resistance to 392°F, 200°C

### SUPPORT DOCUMENTS

Installation instructions available at [swanstone.com](http://swanstone.com).

Undermount clips sold separately. Faucet options are limited to available hole placement. Please contact your dealer for more information.