



MAYTAG® 24" (61 CM) GAS SINGLE AND DOUBLE BUILT-IN OVEN

PRODUCT MODEL SERIES

CWG3600AA

REQUIREMENTS

Electrical: A 120-volt, 60-Hz, AC-only, 15-amp fused, electrical circuit is required. A time-delay fuse or circuit breaker is also recommended. It is recommended that a separate circuit serving only this oven be provided.

Electronic ignition systems operate within wide voltage limits, but proper grounding and polarity are necessary. Check that the outlet provides 120-volt power and is correctly grounded.

The wiring diagram is located in the upper control compartment in a clear plastic bag.

Gas: This oven is factory set for use with Natural gas. The model/serial rating plate located behind the broiler drawer on the right-hand side oven front frame has information on the types of gas that can be used. If the types of gas listed do not include the type of gas available, check with the local gas supplier.

Gas Supply Line: Provide a gas supply line of 3/4" (1.9 cm) rigid pipe to the oven location. A smaller size pipe on longer runs may result in insufficient gas supply. Pipe-joint compounds

that resist the action of LP gas must be used. Do not use TEFLON®† tape. With LP gas, piping or tubing size can be 1/2" (1.3 cm) minimum. Usually, LP gas suppliers determine the size and materials used in the system.

Flexible metal appliance connector: If local codes permit, a new CSA design-certified, 4 to 5 ft (122 to 152.4 cm) long, 1/2" (1.3 cm) or 3/4" (1.9 cm) I.D., flexible metal appliance connector may be used for connecting oven to the gas supply line.

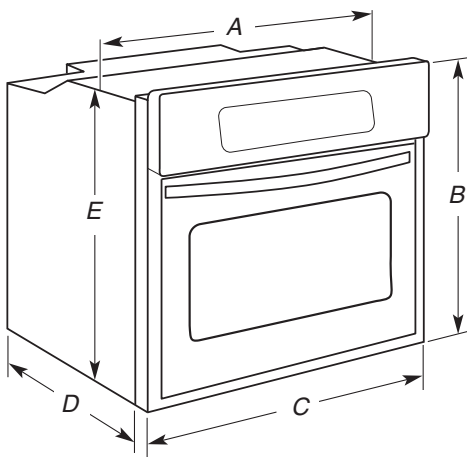
A 1/2" (1.3 cm) male pipe thread is needed for connection to the female pipe threads of the inlet to the appliance pressure regulator.

Must include a shutoff valve: The supply line must be equipped with a manual shutoff valve. This valve should be located in the same room but external to the oven. It should be in a location that allows ease of opening and closing. Do not block access to shutoff valve. The valve is for turning on or shutting off gas to the oven.

†®TEFLON is a registered trademark of E.I. Du Pont De Nemours and Company.

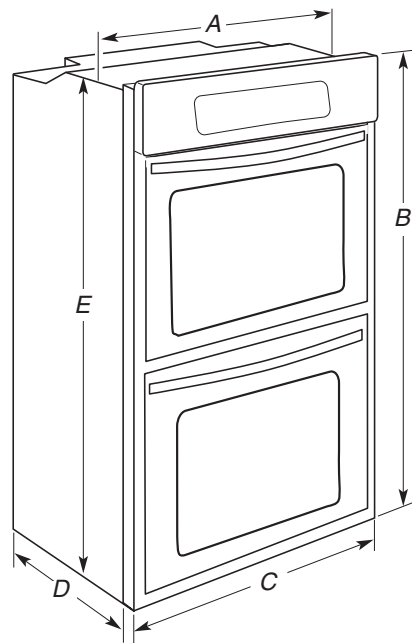
PRODUCT DIMENSIONS

Single Oven



- A. 22¹/₄" (56.8 cm) max. recessed width
- B. 39¹/₄" (99.7 cm) max. overall height
- C. 23⁷/₈" (60.6 cm) overall width
- D. 22⁵/₈" (57.5 cm) max. recessed depth
- E. 37³/₄" (95.9 cm) recessed height

Double Oven



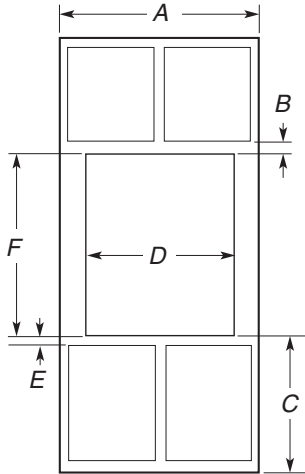
- A. 22¹/₄" (56.8 cm) max. recessed width
- B. 46⁵/₁₆" (117.6 cm) max. overall height
- C. 23⁷/₈" (60.6 cm) overall width
- D. 22⁵/₈" (57.5 cm) max. recessed depth
- E. 44³/₄" (113.4 cm) recessed height



MAYTAG® 24" (61 CM) GAS SINGLE AND DOUBLE BUILT-IN OVEN

CABINET OPENING DIMENSIONS

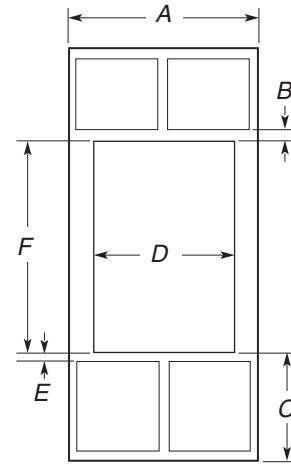
Single Oven Installed in Cabinet



- A. 24" (61 cm) min. cabinet width
- B. 1½" (3.8 cm) top of cutout to bottom of upper cabinet door
- C. 14" (35.6 cm) min. bottom of cutout to floor
- D. 22⅜" (56.8 cm) cutout width
- E. 1½" (3.8 cm) min. bottom of cutout to top of cabinet door
- F. 38" (96.5 cm) cutout height

NOTE: For gas supply pipe, provide a 3" x 3" (7.6 cm x 7.6 cm) opening in the back wall of the cabinet centered 7" (17.8 cm) and 3" (7.6 cm) from the left rear corner above the bottom of the cabinet cut out. Install a 120-volt electrical outlet in the back wall of the cabinet centered 6" (15.2 cm) from the right rear corner and 4" (10.2 cm) below the top of the cabinet cutout.

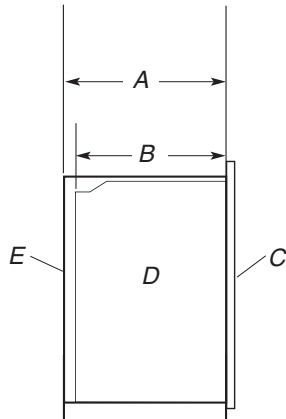
Double Oven Installed in Cabinet



- A. 24" (61 cm) min. cabinet width
- B. 1½" (3.8 cm) top of cutout to bottom of upper cabinet door
- C. 14" (35.6 cm) min. bottom of cutout to floor
- D. 22⅜" (56.8 cm) cutout width
- E. 1½" (3.8 cm) min. bottom of cutout to top of cabinet door
- F. 45⅜" (115.3 cm) cutout height

NOTE: For gas supply pipe, provide a 3" x 3" (7.6 cm x 7.6 cm) opening in the back wall of the cabinet centered 7" (17.8 cm) from the left rear corner and 3" (7.6 cm) above the bottom of the cabinet cut out. Install a 120-volt electrical outlet in the back wall of the cabinet centered 6" (15.2 cm) from the right rear corner and 4" (10.2 cm) below the top of the cabinet cutout.

Cabinet Side View – Double or Single Oven



- A. 24" (61 cm) min. cutout depth
- B. 22⅝" (57.5 cm) recessed oven depth
- C. Oven front
- D. Recessed oven
- E. Cabinet