

SPECIFICATIONS

PRINCE™ TRIM ONLY FOR TWO HANDLE ROMAN TUB FAUCET

Model

D300910T

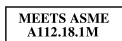
Description

- Solid brass spout
- Slip spout mounting
- Use with valve: D210000BT (fixed) or D215000BT (widespread)

Standards



- UPC/cUPC
- Energy Policy Act of 1992



- ASME A112.18.1M



- ADA Accessibility Guidelines for Buildings and Facilities - 4.27.4 Controls and Mechanisms

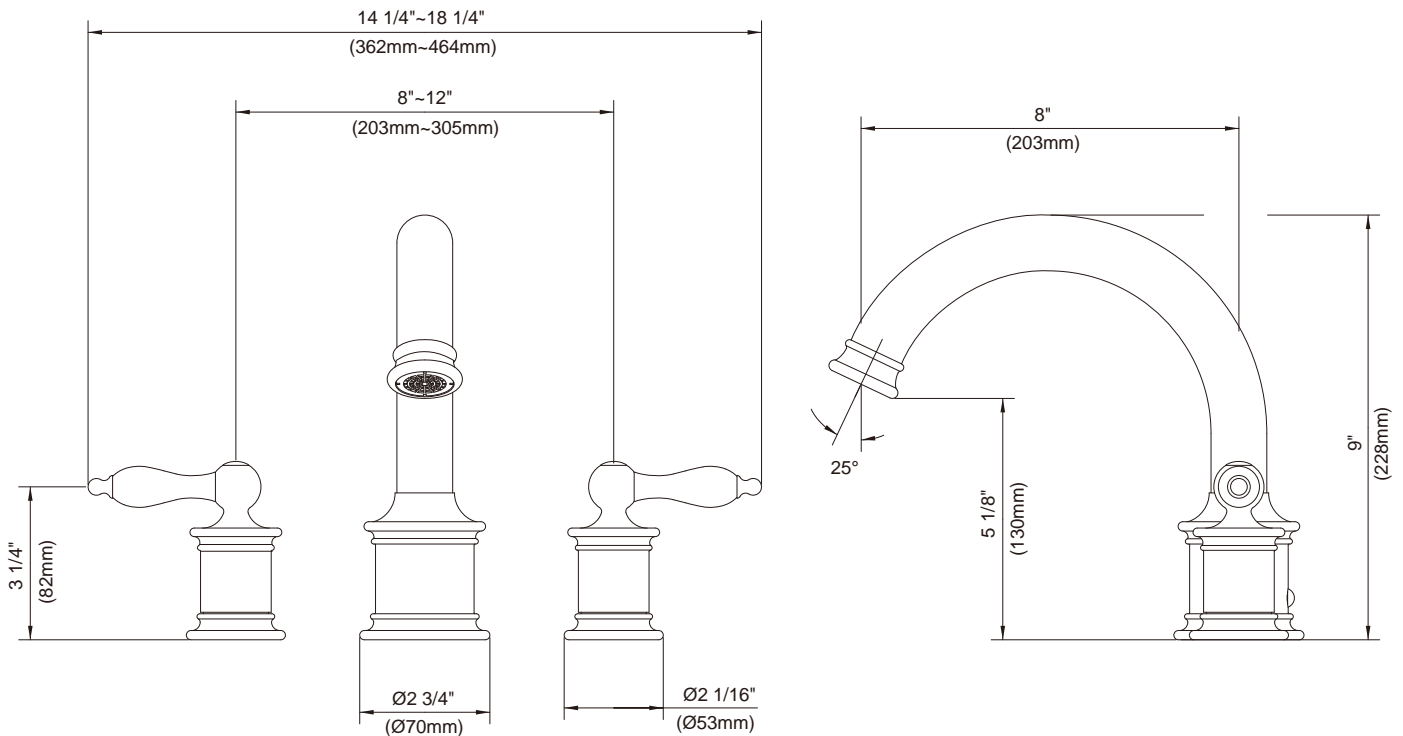
Warranty

Danze products are covered by a manufacturer's limited "lifetime" warranty for manufacturing defects.



Finishes Available

- Chrome
- Other: Refer to Price List for additional finish



Submittal Information:

Job Name: _____

Location: _____

Contractor: _____

Contact #: _____