

SPECIFICATIONS

MONO ROUND™ 3 1/2" SHOWERHEAD

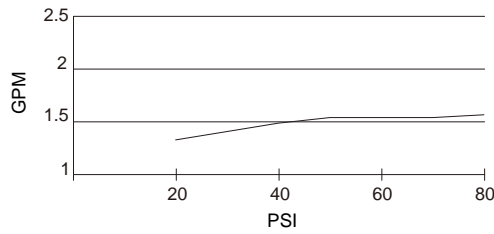
Model

D460052

Description

- Pressure Manifold™ & Air Injection Technology
- Brass ball joint with polymer shell
- Optimizes water intensity even at low pressures
- Maximum flow rate 1.75 gpm @ 80 psi
- With 40 easy clean jets
- Uses 30% less water than a standard showerhead flowing at 2.5 gpm

Flow Rate



Standards



- UPC/cUPC
- Energy policy act of 1992

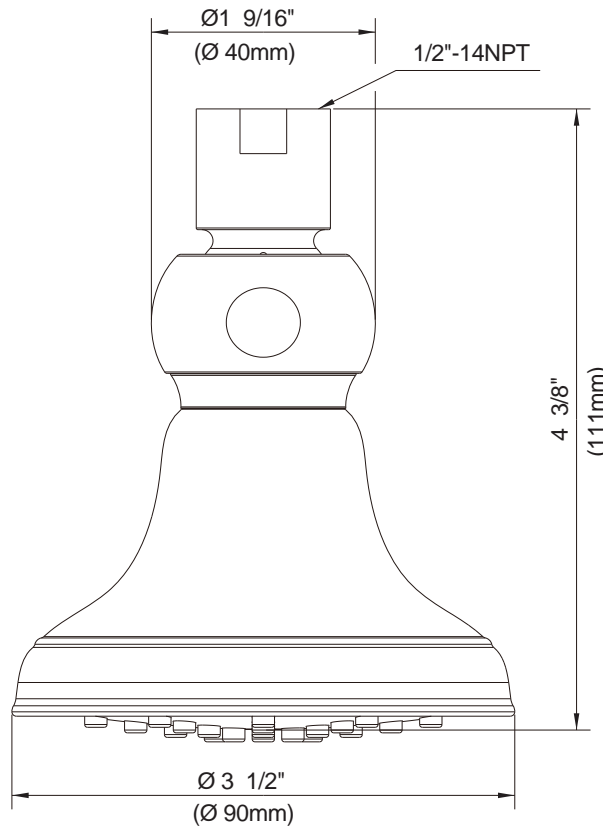


Warranty

Danze products are covered by a manufacturer's limited "lifetime" warranty for manufacturing defects.

Finishes Available

- Chrome
- Other: Refer to Price List for additional finish



Submittal Information:

Job Name: _____

Location: _____

Contractor: _____

Contact #: _____