

**SPECIFICATIONS**

**PARMA™ SHOWERARM MOUNT HANDSHOWER KIT**

**Model**

D461030

**Description**

- 5 function handshower: wide, centerjet, aeration, massage and wide + centerjet
- Check valve included for backflow prevention Ω
- With Parma Handshower D462032
- Dual valve technology
- 2.5gpm (9.5 L/min) maximum flow rate @80psi

**Standards**



• UPC/cUPC

MEETS ASME A112.18.1M/ A112.18.1

• ASME A112.18.1M/ A112.18.1

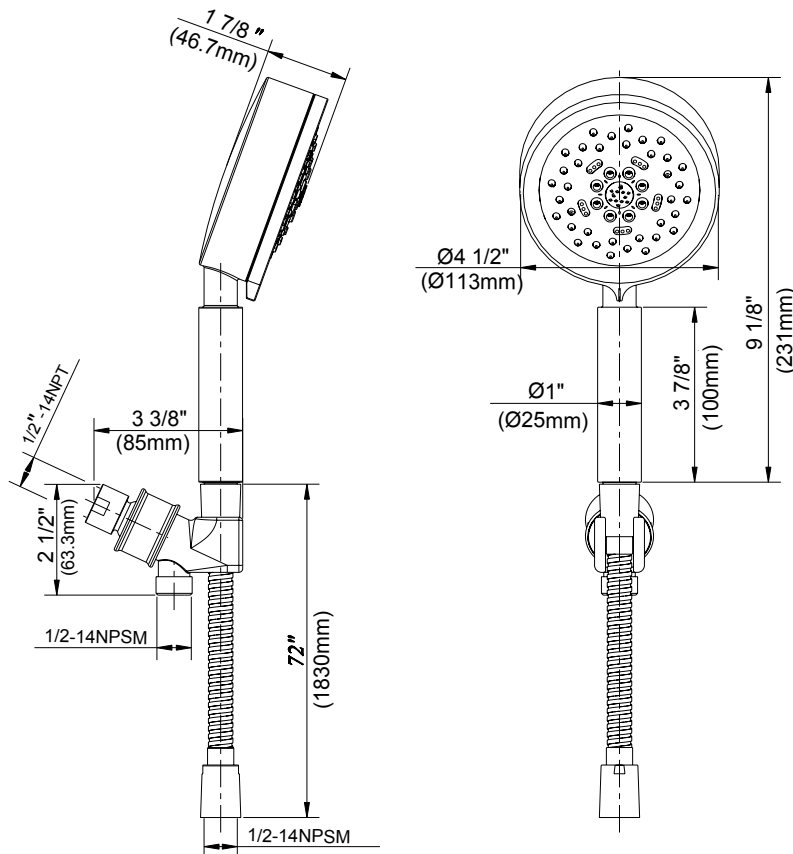
**Warranty**

Danze products are covered by a manufacturer's limited "lifetime" warranty for manufacturing defects.



**Finishes Available**

- Chrome
- Other: Refer to Price List for additional finish



Submittal Information:

Job Name: \_\_\_\_\_

Location: \_\_\_\_\_

Contractor: \_\_\_\_\_

Contact #: \_\_\_\_\_