

SPECIFICATIONS

SOUTH SHORE™ SINGLE HANDLE LAVATORY FAUCET

Model

D220887

Flow Rate

Description

- Ceramic disc cartridge
- 5 3/4" high spout, 4 3/4" spout length
- 50/50 touch down drain assembly
- 1.2gpm (4.5L/min) maximum flow rate @60 psi
- Meets CEC Requirement

Standards

MEETS ASME
A112.18.1M/A112.18.1

- ASME A112.18.1M/A112.18.1



- ADA Accessibility Guidelines for Buildings and Facilities - 309.4 Operation for Operable Parts

•WaterSense Pending

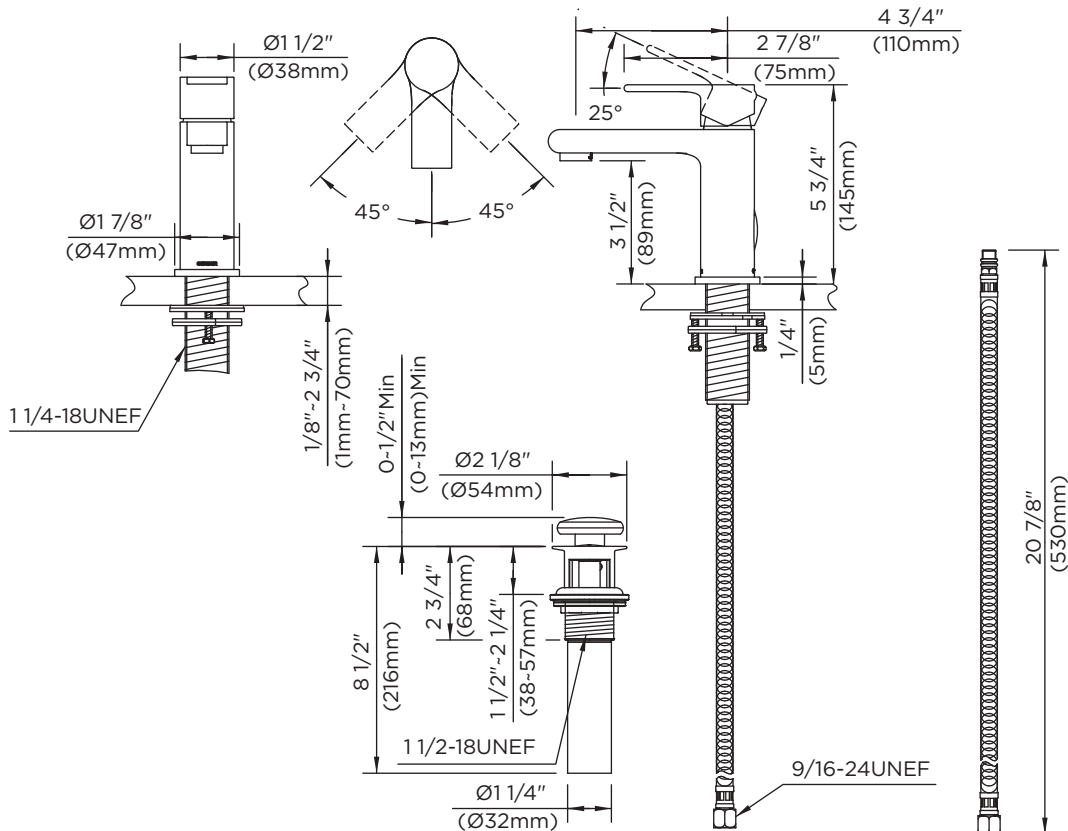
Warranty

Danze products are covered by a manufacturer's limited "lifetime" warranty for manufacturing defects.



Finishes Available

- Chrome
- Other: Refer to Price List for additional finish



Submittal Information:

Job Name: _____
Contractor: _____

Location: _____
Contact #: _____