

SPECIFICATIONS

ROUGE™ SINGLE HANDLE LAVATORY FAUCET

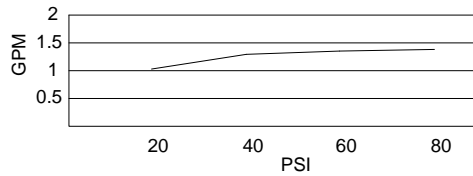
Model

DH220577

Description

- Contemporary styling
- Ceramic disc valve
- 5 ½" spout height, 4" spout length, laminar flow
- 1 or 3 hole installation
- Touch down drain
- Flex hose water supply line
- A112.18.1M, 1.5 gpm (5.7 LPM) maximum flow rate @ 20 - 80 psi

Flow Rate



Standards



Certified to NSF/ANSI 61 Section 9

- NSF 61-9
- Energy Policy Act of 1992



NSF/ANSI 372

- ASME A112.18.1M/A112.18.1
- NSF/ANSI 372



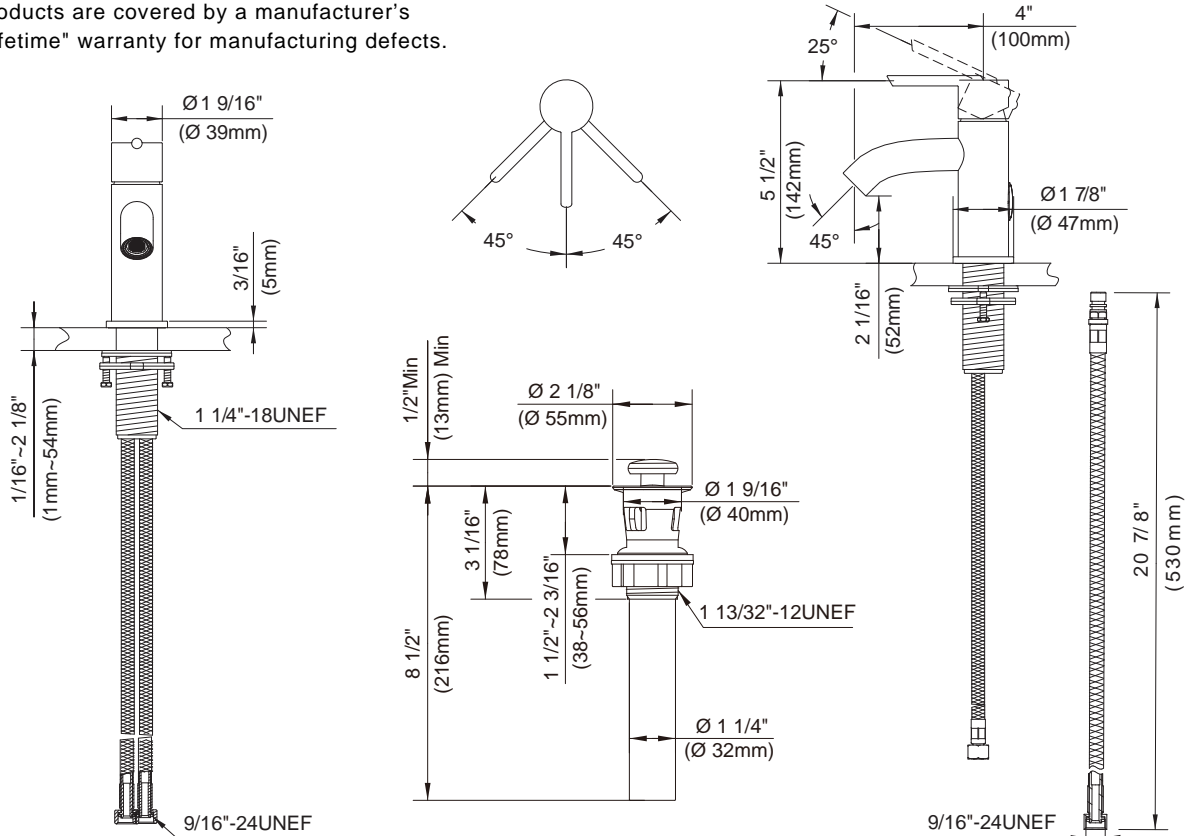
- ADA Accessibility Guidelines for Buildings and Facilities - 4.27.4 Controls and Mechanisms

Warranty

Danze products are covered by a manufacturer's limited "lifetime" warranty for manufacturing defects.

Finishes Available

- Chrome
- Brushed Nickel



Submittal Information:

Job Name: _____
 Contractor: _____

Location: _____
 Contact #: _____