

**SPECIFICATIONS**

**ADONIS™ SINGLE HANDLE LAVATORY FAUCET**

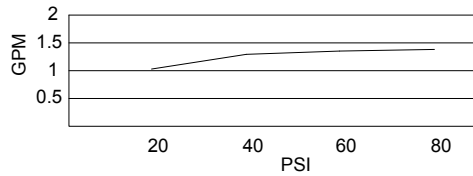
**Model**

DH220677

**Description**

- Contemporary styling
- Ceramic disc valve
- 5 3/4" spout height, 4 3/4" spout length, laminar flow
- 1 or 3 hole installation
- Touch down drain
- A112.18.1M, 1.5 gpm (5.7 LPM) maximum flow rate @ 20 - 80 psi

**Flow Rate**



**Standards**



Certified to NSF/ANSI 61 Section 5

- NSF 61-9
- Energy Policy Act of 1992



Certified by IAPMO R&T



NSF/ANSI 372

- ASME A112.18.1M/A112.18.1
- NSF/ANSI 372



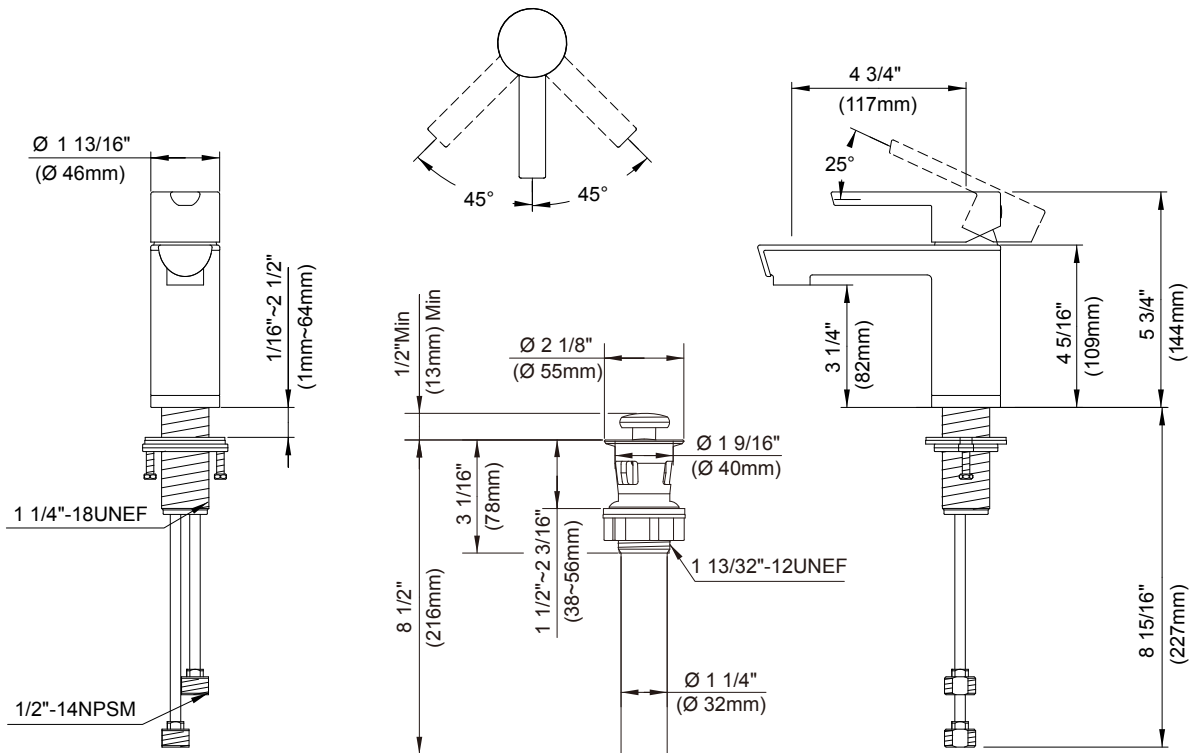
- ADA Accessibility Guidelines for Buildings and Facilities - 4.27.4 Controls and Mechanisms

**Finishes Available**

- Chrome
- Brushed Nickel

**Warranty**

Danze products are covered by a manufacturer's limited "lifetime" warranty for manufacturing defects.



**Submittal Information:**

Job Name: \_\_\_\_\_  
 Contractor: \_\_\_\_\_

Location: \_\_\_\_\_  
 Contact #: \_\_\_\_\_