

SPECIFICATIONS

COMO™ SINGLE HANDLE LAVATORY FAUCET

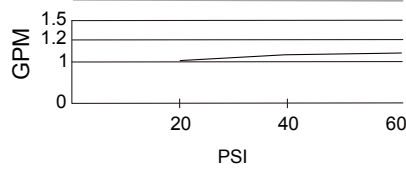
Model

D222542

Description

- Ceramic disc valve
- 8 ½" high swivel spout, 5 ½" spout length
- 360° spout swivel
- With metal touch down drain assembly
- Hot and cold indicators DA60A060 included
- 4" deck plate DA607568 sold separately for single hole mounting
- 1.2gpm (4.5L/min) maximum flow rate @60 psi
- Meets CEC Requirement

Flow Rate



Standards



NSF/ANSI 372

• NSF/ANSI 372



• ASME A112.18.1M/A112.18.1



• ADA Accessibility Guidelines for Buildings and Facilities - 309.4 Operation for Operable Parts

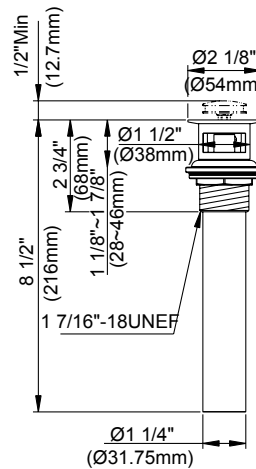
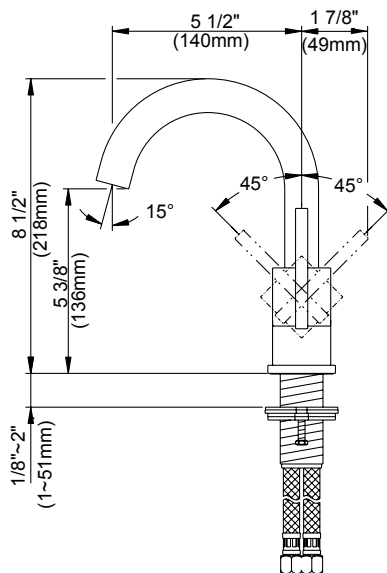
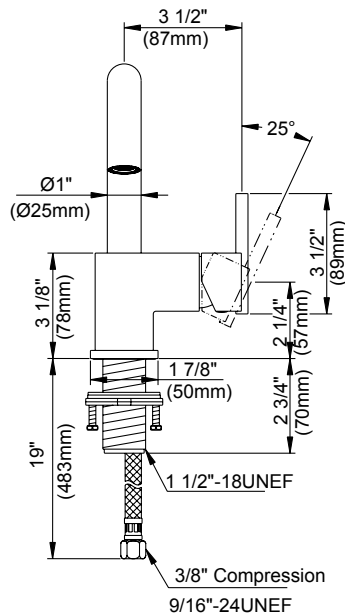
•WaterSense Pending

Finishes Available

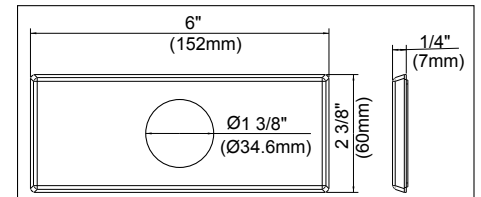
- Chrome
- Other: Refer to Price List for additional finish

Warranty

Danze products are covered by a manufacturer's limited "lifetime" warranty for manufacturing defects.



4" Deck Plate DA607568 Sold Separately



Submittal Information:

Job Name: _____

Location: _____

Contractor: _____

Contact #: _____