

SPECIFICATIONS

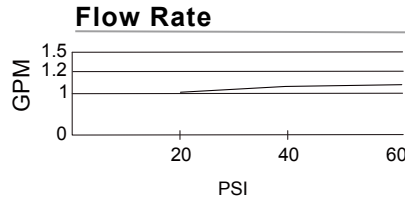
PARMA™ SINGLE HANDLE LAVATORY FAUCET

Model

D220558

Description

- Ceramic disc valve
- 9 1/2" high swivel spout, 5 1/4" spout length
- Laminar flow
- 360° spout swivel
- With metal touch-down drain assembly
- 4" deck plate DA667229 sold separately for single hole mounting
- 1.2gpm (4.5L/min) maximum flow rate @60 psi
- Meets CEC Requirement



Standards



NSF/ANSI 372

• NSF/ANSI 372

MEETS ASME A112.18.1M/A112.18.1

• ASME A112.18.1M/A112.18.1



• ADA Accessibility Guidelines for Buildings and Facilities - 309.4 Operation for Operable Parts

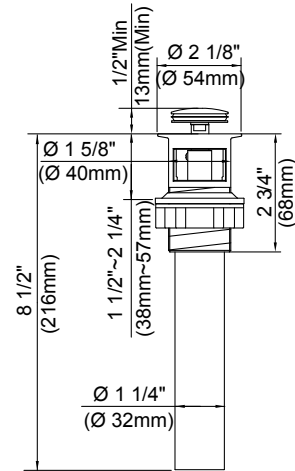
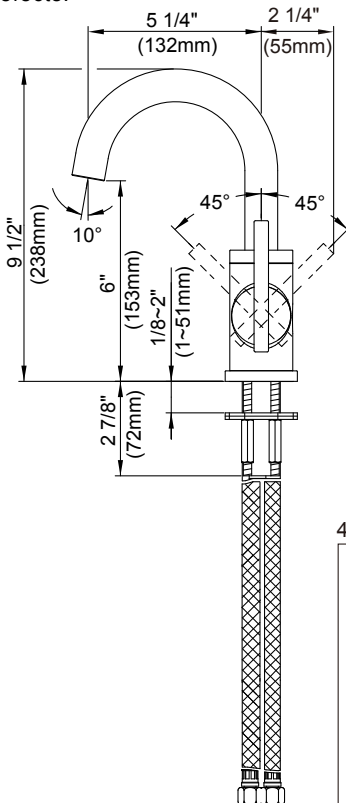
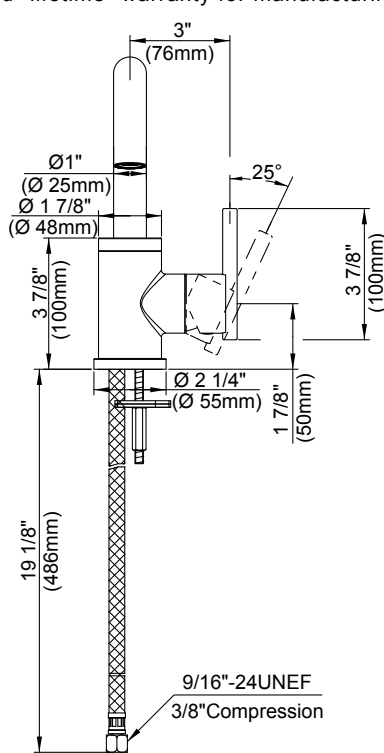
•WaterSense Pending

Finishes Available

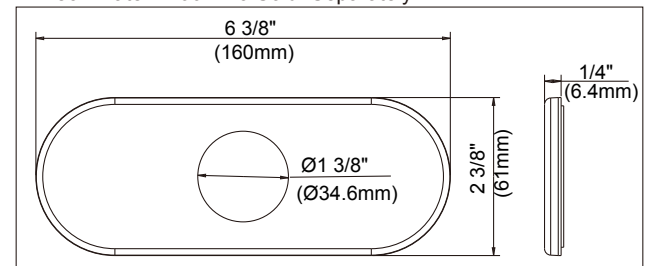
- Chrome
- Other: Refer to Price List for additional finish

Warranty

Danze products are covered by a manufacturer's limited "lifetime" warranty for manufacturing defects.



4" Deck Plate DA667229 Sold Separately



Submittal Information:

Job Name: _____
 Contractor: _____

Location: _____
 Contact #: _____