

**SPECIFICATIONS**

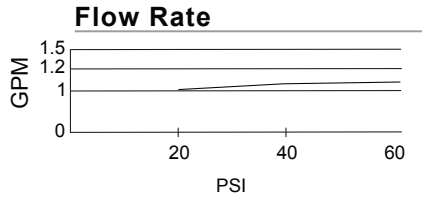
**REEF™ SINGLE HANDLE LAVATORY FAUCET**

**Model**

D222533

**Design Features**

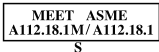
- Ceramic disc valve
- 5 1/4" high spout, 3 7/8" spout length
- Metal lever handle
- With 50/50 touch-down drain assembly
- 4" deck plate DA607568 sold separately for single hole mounting
- 1.2gpm (4.5L/min) maximum flow rate @60 psi
- Meets CEC Requirement



**Standards**



NSF/ANSI 372 • NSF/ANSI 372



• ASME A112.18.1M/A112.18.1



• ADA Accessibility Guidelines for Buildings and Facilities - 309.4 Operation for Operable Parts

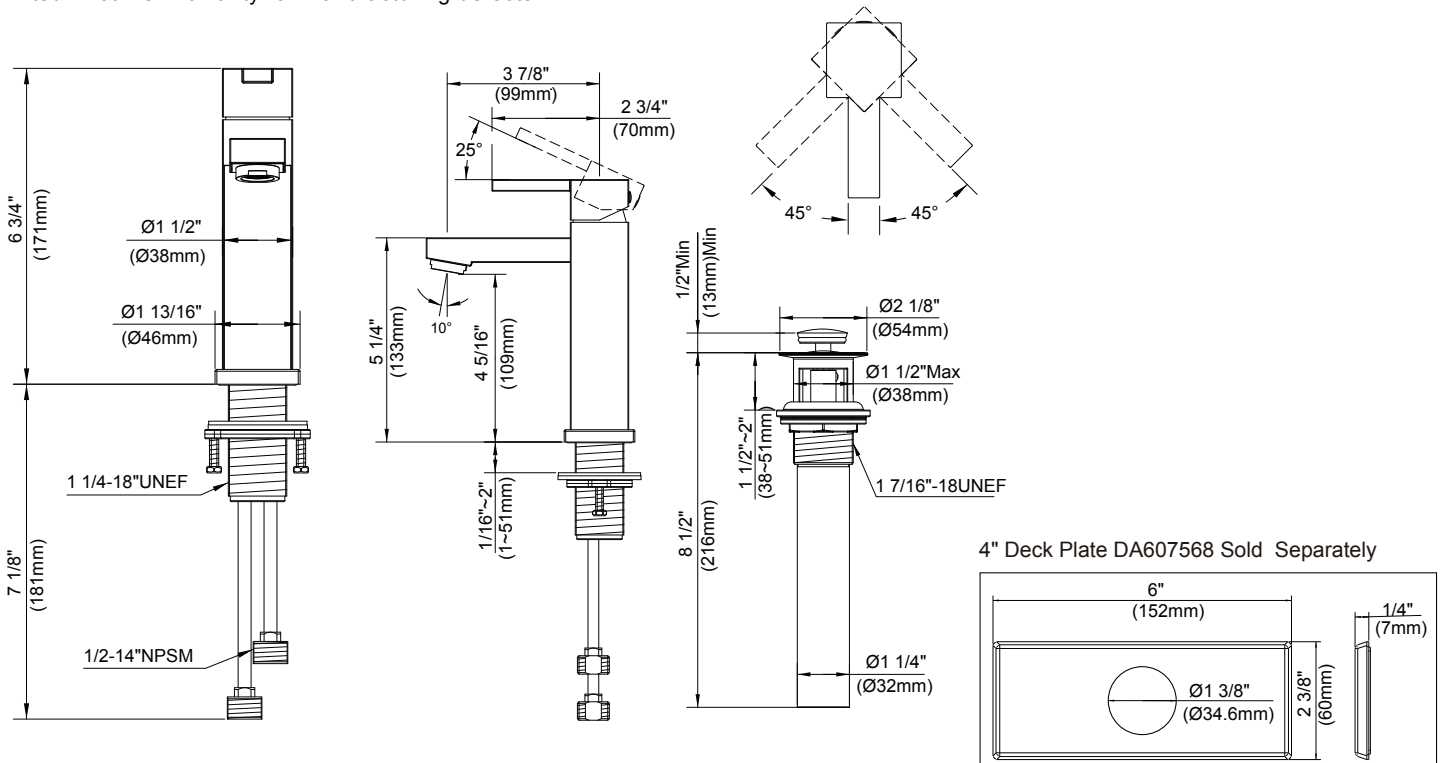
•WaterSense Pending

**Finishes Available**

- Chrome
- Other: Refer to Price List for additional finish

**Warranty**

Danze products are covered by a manufacturer's limited "lifetime" warranty for manufacturing defects.



Submittal Information:

Job Name: \_\_\_\_\_

Location: \_\_\_\_\_

Contractor: \_\_\_\_\_

Contact #: \_\_\_\_\_