

SPECIFICATIONS

PRINCE™ SINGLE HANDLE LAVATORY FAUCET

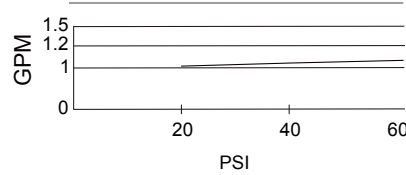
Model

D236110

Description

- Ceramic disc valve
- 4 ½" high spout, 4 ½" spout length, laminar flow
- With 50/50 touch down drain assembly
- Single hole mount with optional deck plate DA667229
- 1.2gpm (4.5L/min) maximum flow rate @60 psi
- Meets CEC Requirement

Flow Rate



Standards



NSF/ANSI 372

• NSF/ANSI 372



• ASME A112.18.1M/A112.18.1



• ADA Accessibility Guidelines for Buildings and Facilities - 309.4 Operation for Operable Parts

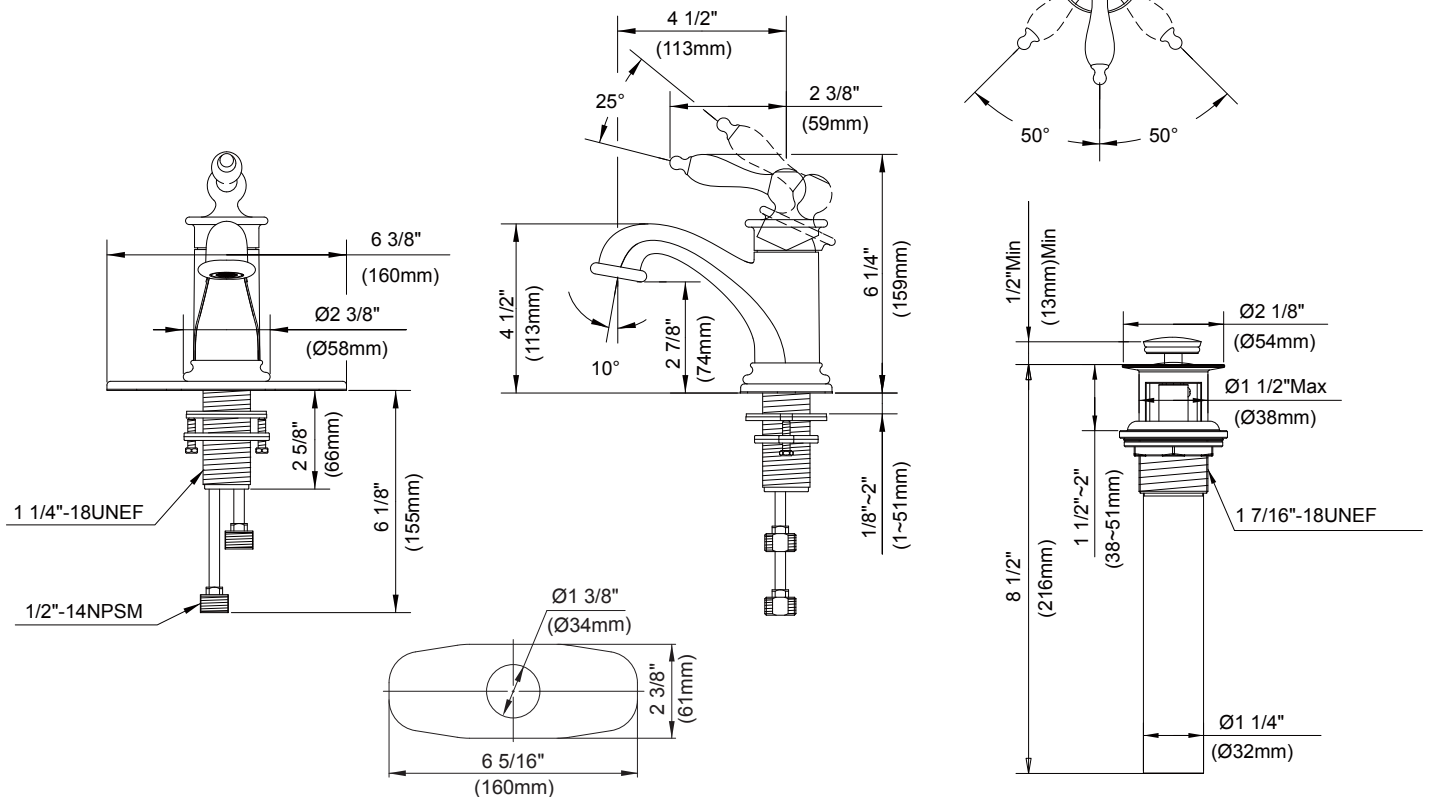
•WaterSense Pending

Warranty

Danze products are covered by a manufacturer's limited "lifetime" warranty for manufacturing defects.

Finishes Available

- Chrome
- Other: Refer to Price List for additional finish



Submittal Information:

Job Name: _____

Location: _____

Contractor: _____

Contact #: _____