

SPECIFICATIONS

PARMA™ SINGLE HANDLE BAR & CONVENIENCE FAUCET

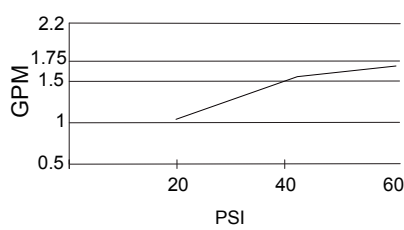
Model

D150558

Description

- Ceramic disc valve
- 13" high swivel spout, 5 1/4" spout length
- 4" deck plate D493082 sold separately for single hole mounting
- 1.75gpm (6.6L/min) maximum flow rate @60 psi
- Meets CEC requirements

Flow Rate



Standards



NSF/ANSI 372

• NSF/ANSI 372

MEETS ASME
A112.18.1M/A112.18.1

• ASME A112.18.1M/A112.18.1



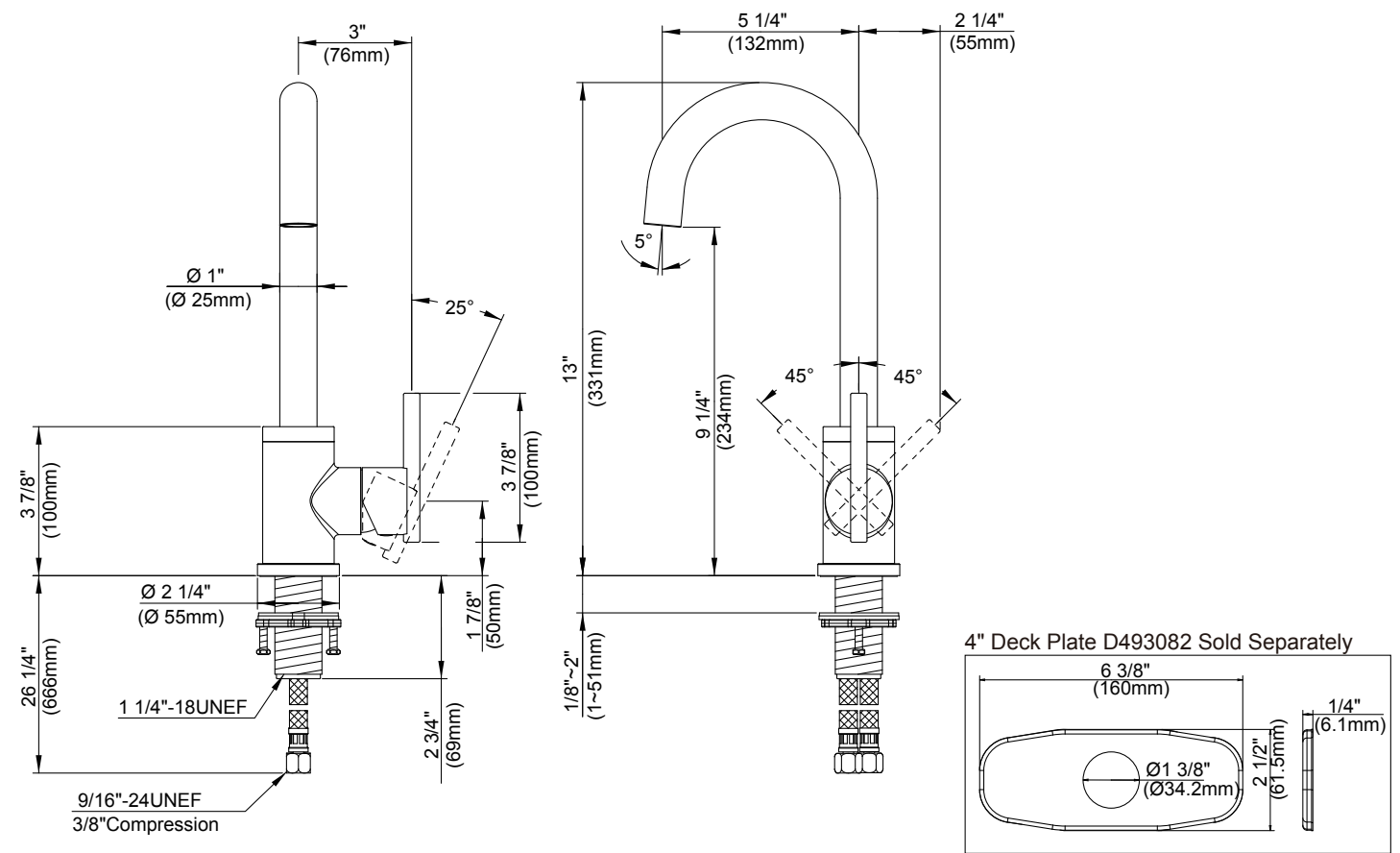
• ADA Accessibility Guidelines for Buildings and Facilities - 309.4 Operation for Operable Parts

Warranty

Danze products are covered by a manufacturer's limited "lifetime" warranty for manufacturing defects.

Finishes Available

- Chrome
- Other: Refer to Price List for additional finish



4" Deck Plate D493082 Sold Separately

Submittal Information:

Job Name: _____
 Contractor: _____

Location: _____
 Contact #: _____