

**SPECIFICATIONS**

**FAIRMONT™ TWO HANDLE WIDESPREAD LAVATORY FAUCET**

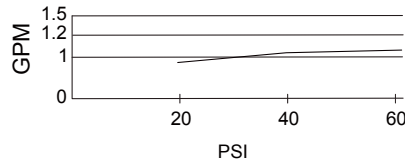
**Model**

D304140

**Description**

- Ceramic disc valves
- 7" high spout, 5 5/8" spout length, laminar flow
- With metal touch-down drain assembly
- 3 hole mount, 6" - 12" installation
- 1.2gpm (4.5L/min) maximum flow rate @60 psi
- Meets CEC Requirement

**Flow Rate**



**Standards**



NSF/ANSI 372

- NSF/ANSI 372

MEETS ASME A112.18.1M/A112.18.1

- ASME A112.18.1M/A112.18.1



- ADA Accessibility Guidelines for Buildings and Facilities - 309.4 Operation for Operable Parts

•WaterSense Pending

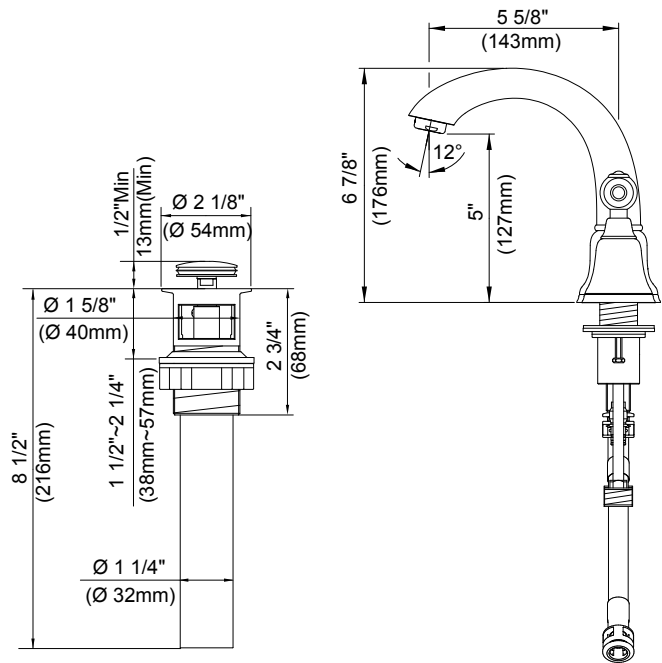
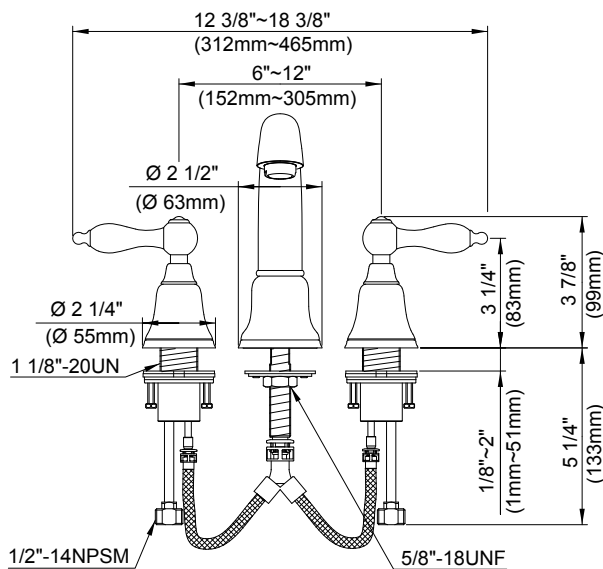


**Finishes Available**

- Chrome
- Other: Refer to Price List for additional finish

**Warranty**

Danze products are covered by a manufacturer's limited "lifetime" warranty for manufacturing defects.



**Submittal Information:**

Job Name: \_\_\_\_\_  
 Contractor: \_\_\_\_\_

Location: \_\_\_\_\_  
 Contact #: \_\_\_\_\_