

SPECIFICATIONS

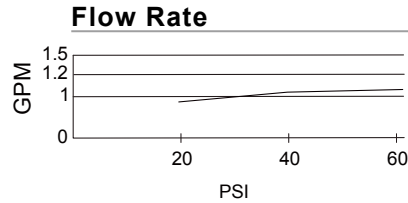
BANNOCKBURN™ TWO HANDLE WIDESPREAD LAVATORY FAUCET

Model

D304156

Description

- Ceramic disc valves
- 6 ¼" high spout, 5 ¼" spout length, laminar flow
- With metal touch-down drain assembly
- 3 hole mount, 6" - 12" installation
- 1.2gpm (4.5L/min) maximum flow rate @60 psi
- Meets CEC Requirement



Standards



NSF/ANSI 372

- NSF/ANSI 372

MEETS ASME A112.18.1M/ A112.18.1

- ASME A112.18.1M/A112.18.1



- ADA Accessibility Guidelines for Buildings and Facilities - 309.4 Operation for Operable Parts

- WaterSense Pending

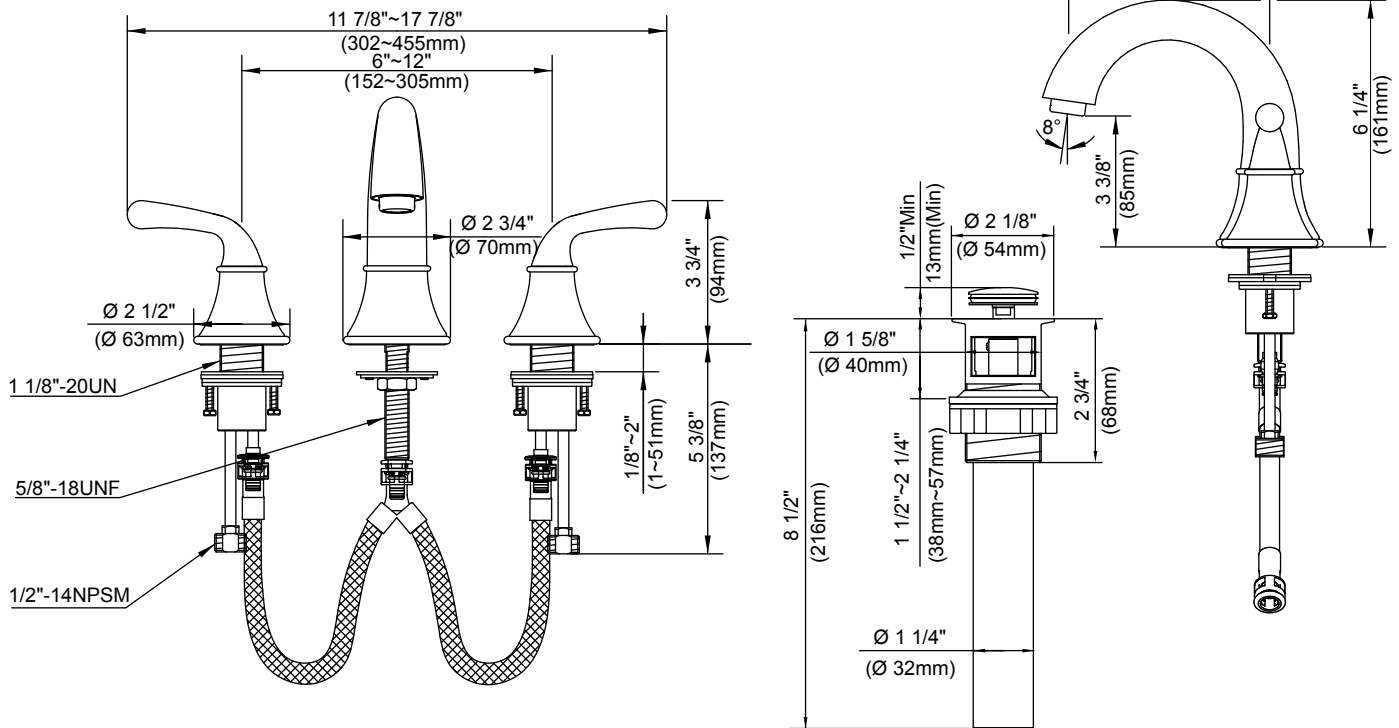


Finishes Available

- Chrome
- Other: Refer to Price List for additional finish

Warranty

Danze products are covered by a manufacturer's limited "lifetime" warranty for manufacturing defects.



Submittal Information:

Job Name: _____
 Contractor: _____

Location: _____
 Contact #: _____