

**SPECIFICATIONS**

**PARMA™ TWO HANDLE WALL MOUNT LAVATORY FAUCET**

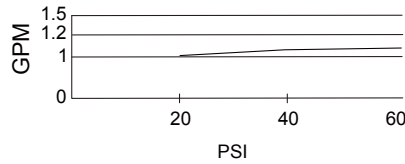
**Model**

D316658T

**Description**

- Ceramic disc valve
- 10" spout length
- Metal touch down drain assembly
- 3 hole wall mount
- 1.2gpm (4.5L/min) maximum flow rate @60 psi
- Meets CEC Requirement

**Flow Rate**



**Standards**



NSF/ANSI 372

• NSF/ANSI 372

MEETS ASME A112.18.1M/A112.18.1

• ASME A112.18.1M/A112.18.1



• ADA Accessibility Guidelines for Buildings and Facilities - 309.4 Operation for Operable Parts

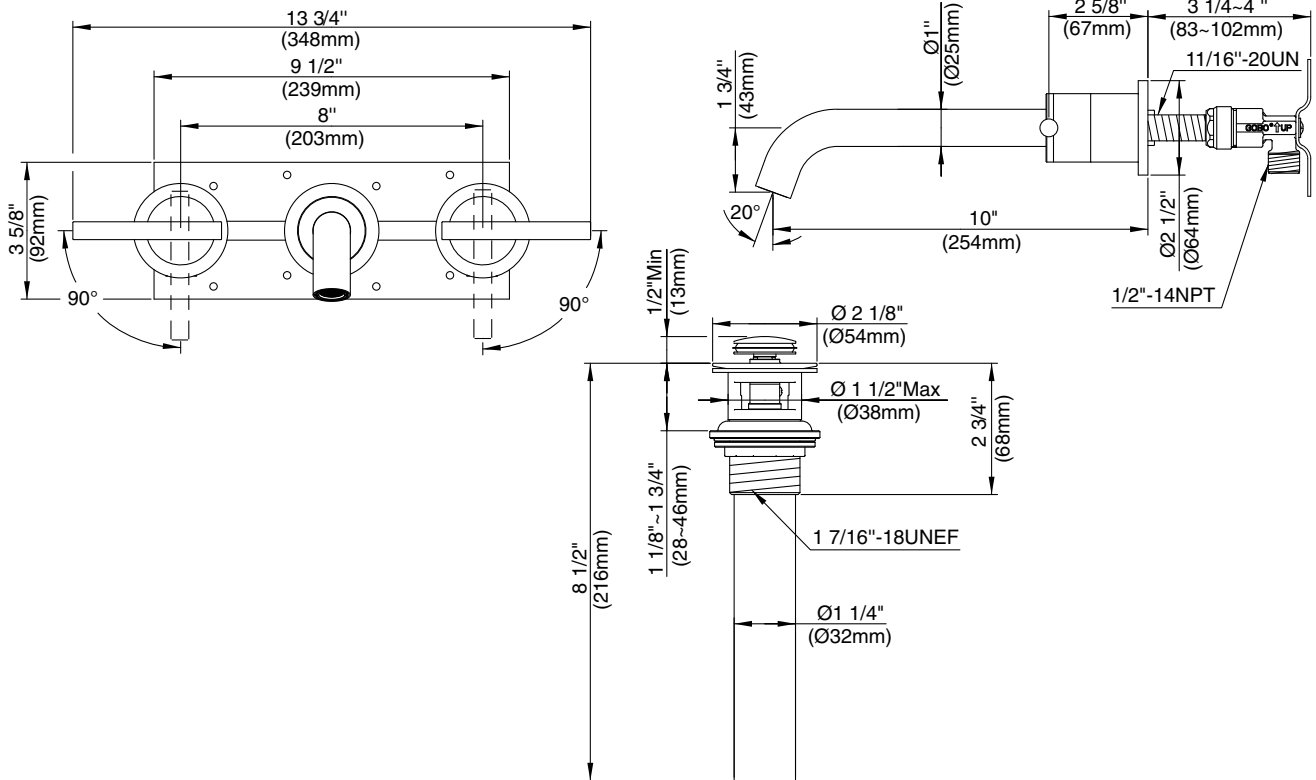
•WaterSense Pending

**Finishes Available**

- Chrome
- Other: Refer to Price List for additional finish

**Warranty**

Danze products are covered by a manufacturer's limited "lifetime" warranty for manufacturing defects.



**Submittal Information:**

Job Name: \_\_\_\_\_  
 Contractor: \_\_\_\_\_

Location: \_\_\_\_\_  
 Contact #: \_\_\_\_\_