

## SPECIFICATIONS

### TAJU™ SINGLE HANDLE PULL-OUT KITCHEN FAUCET

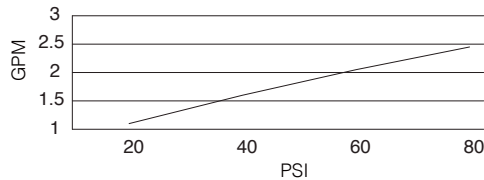
#### Model

D456710

#### Description

- Ceramic disc valve
- 8 3/4" high spout, 9" spout length
- 3 function spray/aerated stream/pause
- Quiet running hose with spring retraction
- Single hole mount
- Flow rate: 2.2 gpm @ 60 psi

#### Flow Rate



#### Standards



- UPC/cUPC
- NSF 61-9
- Energy Policy Act of 1992



- ASME A112.18.1



Less than 0.25% lead content

- Meets CA AB-1953



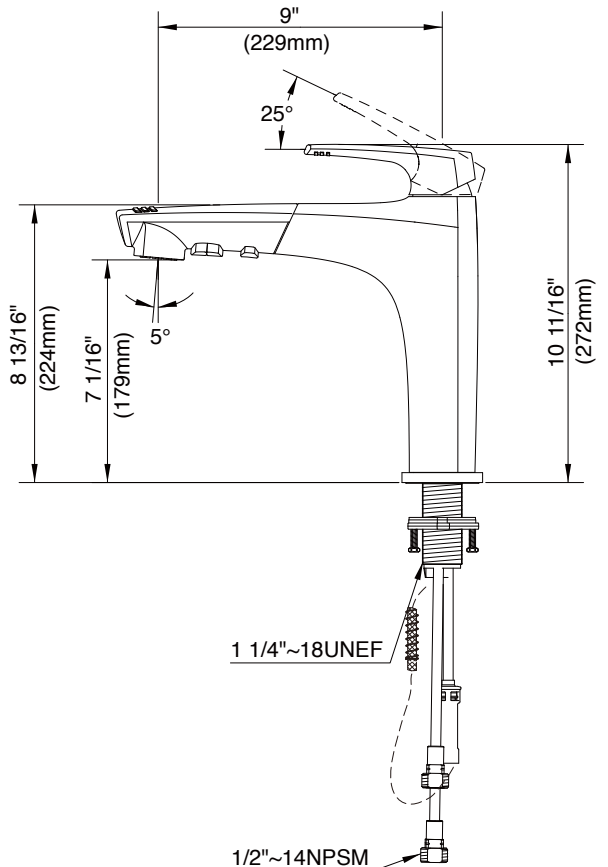
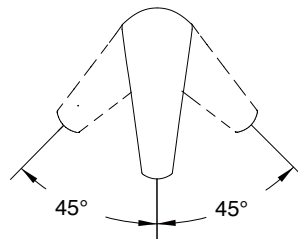
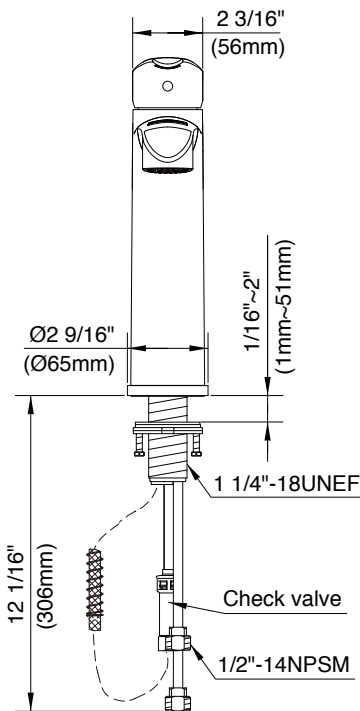
- ADA Accessibility Guidelines for Buildings and Facilities - 4.27.4 Controls and Mechanisms

#### Finishes Available

- Chrome
- Other: Refer to Price List for additional finish

#### Warranty

Danze products are covered by a manufacturer's limited "lifetime" warranty for manufacturing defects.



Submittal Information:

Job Name: \_\_\_\_\_

Location: \_\_\_\_\_

Contractor: \_\_\_\_\_

Contact #: \_\_\_\_\_