

SPECIFICATIONS

PRINCE™ SINGLE HANDLE PULL-OUT KITCHEN FAUCET

Model

D455010

Description

- Ceramic disc valve
- 7" high spout, 8 1/2" spout length
- 2 function spray/aerated stream
- Quiet running hose with spring retraction
- Single hole mount
- Flow rate: 2.2 gpm @ 60 psi

Standards



- UPC/cUPC
- NSF 61-9
- Energy Policy Act of 1992



- ASME A112.18.1



Less than 0.25% lead content

- Meets CA AB-1953

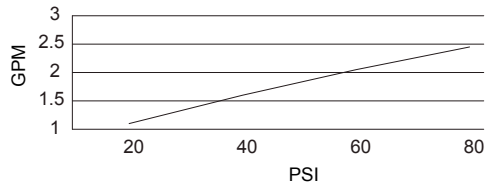


- ADA Accessibility Guidelines for Buildings and Facilities - 4.27.4 Controls and Mechanisms

Warranty

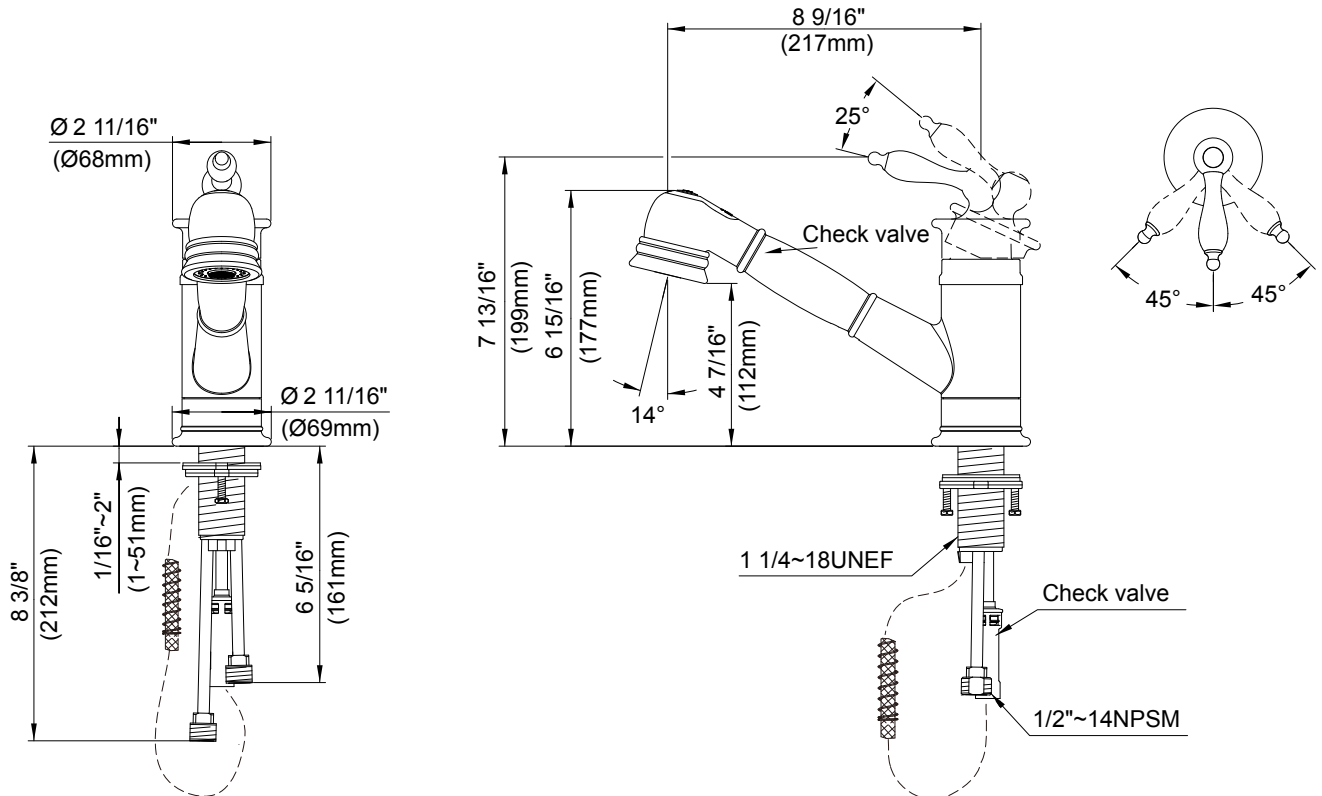
Danze products are covered by a manufacturer's limited "lifetime" warranty for manufacturing defects.

Flow Rate



Finishes Available

- Chrome
- Other: Refer to Price List for additional finish



Submittal Information:

Job Name: _____

Location: _____

Contractor: _____

Contact #: _____