

SPECIFICATIONS

ANTIOCH™ TRIM LINE SINGLE HANDLE PULL-DOWN KITCHEN FAUCET

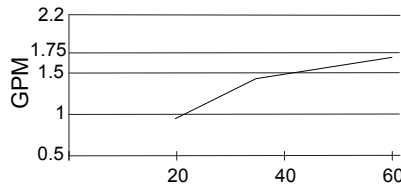
Model

D459022

Description

- Ceramic disc cartridge
- 15 7/8" high swivel spout, 8 1/4" spout length
- 2 function spray/aerated stream
- SnapBack™ retraction system with Grip Lock™ weight
- 2 hole mount
- 1.75gpm (6.6L/min) maximum flow rate @60 psi

Flow Rate



Standards



NSF/ANSI 372 • NSF/ANSI 372

MEETS ASME A112.18.1M/ A112.18.1

• ASME A112.18.1M/A112.18.1



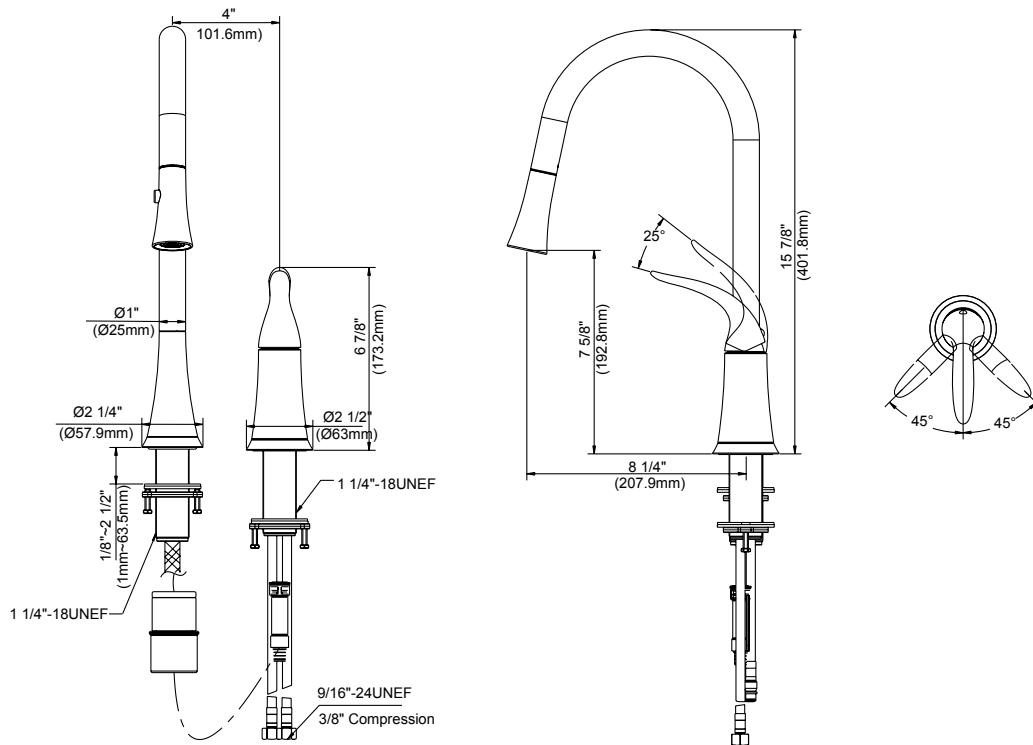
• ADA Accessibility Guidelines for Buildings and Facilities - 309.4 Operation and Operable Parts

Finishes Available

- Chrome
- Other: Refer to Price List for additional finish

Warranty

Danze products are covered by a manufacturer's limited "lifetime" warranty for manufacturing defects.



Submittal Information:

Job Name: _____
 Contractor: _____

Location: _____
 Contact #: _____