

SPECIFICATIONS

PARMA™ SINGLE HANDLE PULL-OUT KITCHEN FAUCET

Model

D404058

Description

- Ceramic disc valve
- 13 3/4" high spout, 9" spout length
- 2 function spray/aerated stream
- Single hole mount
- 1.75gpm (6.6L/min) max Aeration/2.2gpm (8.3L/min) max Spray @60psi
- Meets CEC Requirement

Standards



NSF/ANSI 372

- NSF/ANSI 372

MEETS ASME A112.18.1M/A112.18.1

- ASME A112.18.1M/A112.18.1

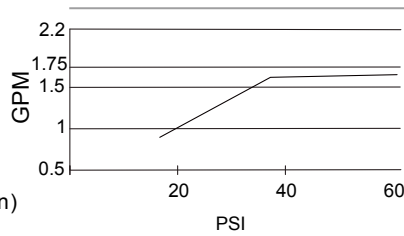


- ADA Accessibility Guidelines for Buildings and Facilities - 309.4 Operation for Operable Parts

Warranty

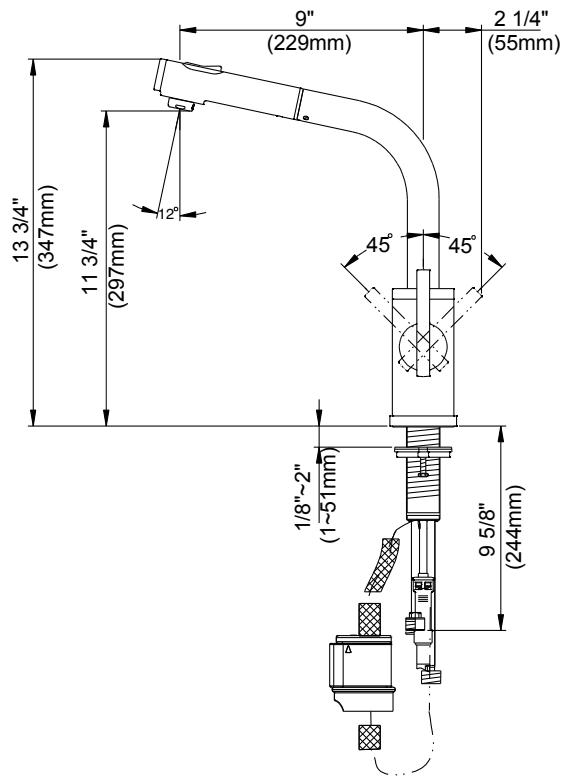
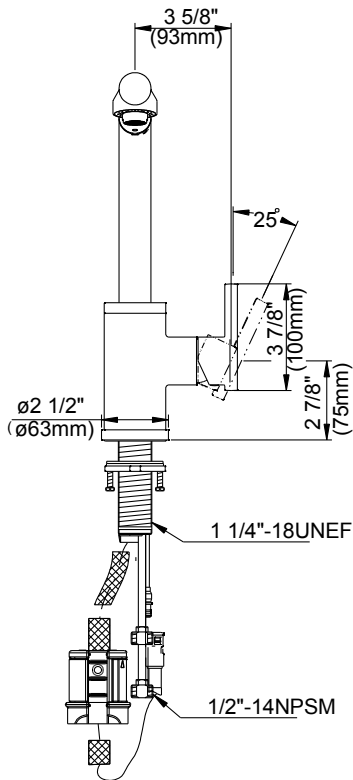
Danze products are covered by a manufacturer's limited "lifetime" warranty for manufacturing defects.

Aeration Flow Rate



Finishes Available

- Chrome
- Other: Refer to Price List for additional finish



Submittal Information:

Job Name: _____
 Contractor: _____

Location: _____
 Contact #: _____