

SPECIFICATIONS

MELROSE™ SINGLE HANDLE PULL-OUT KITCHEN FAUCET

Model

D450012

Flow Rate

Description

- Ceramic disc valve
- 7 1/2" high swivel spout, 6 3/4" spout length
- 2 function spray/aerated stream
- Quiet running hose with spring retraction
- Single hole mount with optional deck plate DA667094
- Maximum flow rate on aeration at 1.75gpm & spray as temporary flow at 2.2gpm
- Meets CEC requirements

Standards



NSF/ANSI 372

- NSF/ANSI 372

MEETS ASME A112.18.1M/A112.18.1

- ASME A112.18.1M/A112.18.1



- ADA Accessibility Guidelines for Buildings and Facilities - 309.4 Operation for Operable Parts

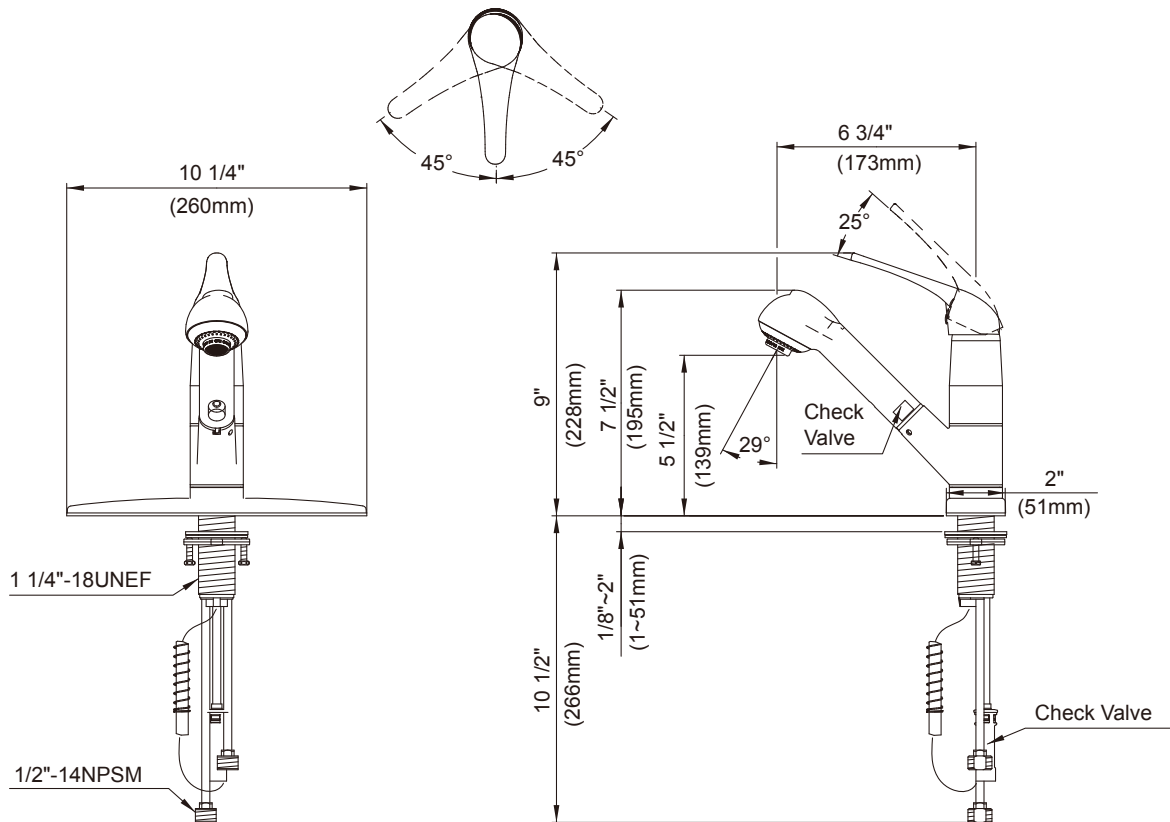
Warranty

Danze products are covered by a manufacturer's limited "lifetime" warranty for manufacturing defects.



Finishes Available

- Chrome



Submittal Information:

Job Name: _____
 Contractor: _____

Location: _____
 Contact #: _____