

**SPECIFICATIONS**

**MID-TOWN™ TRIM LINE SINGLE HANDLE PULL-OUT KITCHEN FAUCET**

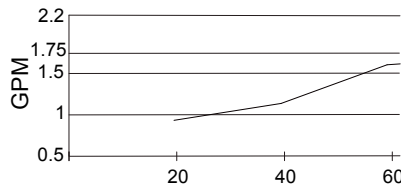
**Model**

D404562

**Description**

- Ceramic disc cartridge
- 11 7/8" high swivel spout, 9 1/4" spout length
- 2 function spray/aerated stream
- SnapBack™ retraction system with Grip Lock™ weight
- 8" deck plate DA617054 sold separately for single hole mounting
- 1.75gpm (6.6L/min) maximum flow rate @60 psi

**Flow Rate**



**Standards**



• NSF/ANSI 372

MEETS ASME A112.18.1M/ A112.18.1

• ASME A112.18.1M/A112.18.1



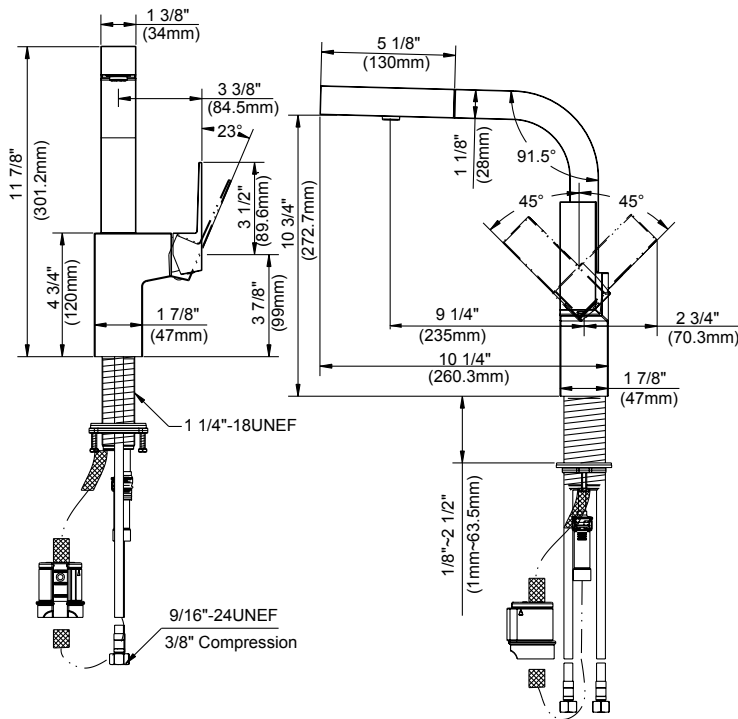
• ADA Accessibility Guidelines for Buildings and Facilities - 309.4 Operation and Operable Parts

**Finishes Available**

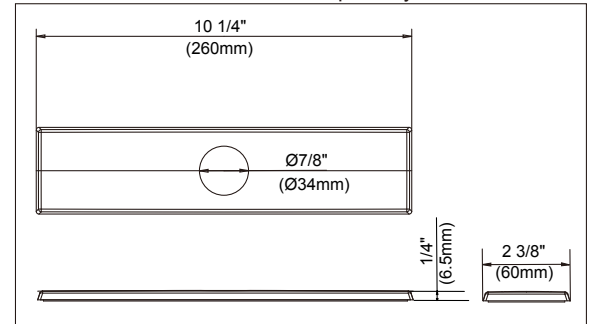
- Chrome
- Other: Refer to Price List for additional finish

**Warranty**

Danze products are covered by a manufacturer's limited "lifetime" warranty for manufacturing defects.



8" Deck Plate DA617054 Sold Separately



Submittal Information:

Job Name: \_\_\_\_\_  
 Contractor: \_\_\_\_\_

Location: \_\_\_\_\_  
 Contact #: \_\_\_\_\_