

SPECIFICATIONS

MELROSE™ SINGLE HANDLE KITCHEN FAUCET

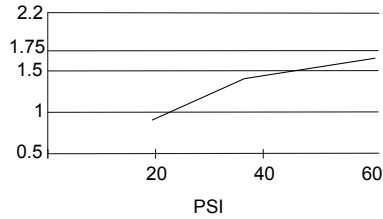
Model

D406112

Description

- Ceramic disc valve
- 7" high swivel spout, 9" spout length
- 3 hole mount with optional deck plate DA66F038T
- 1.75gpm (6.6 L/min) maximum flow rate @60 psi
- Meets CEC requirements

Flow Rate



Standards



NSF/ANSI 372

- NSF/ANSI 372

MEETS ASME A112.18.1M/A112.18.1

- ASME A112.18.1M/A112.18.1



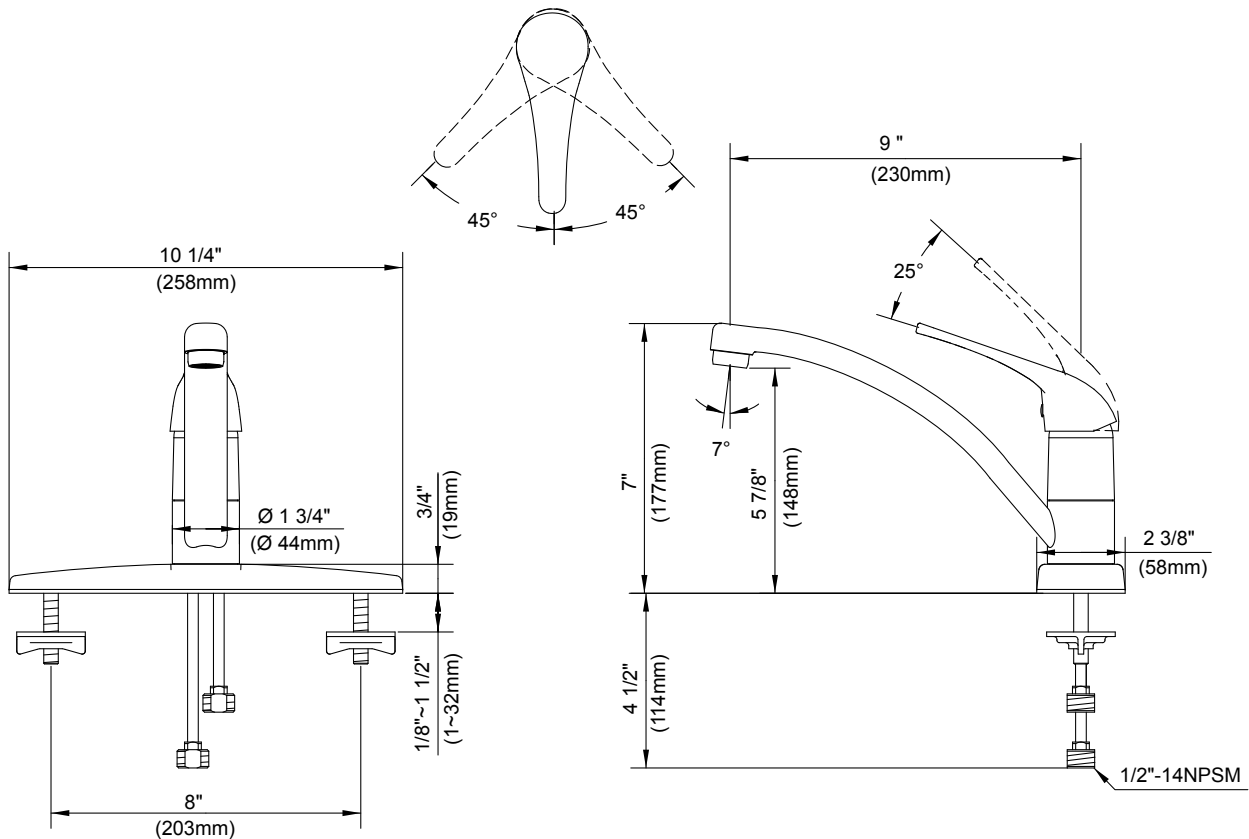
- ADA Accessibility Guidelines for Buildings and Facilities - 309.4 Operation for Operable Parts

Warranty

Danze products are covered by a manufacturer's limited "lifetime" warranty for manufacturing defects.

Finishes Available

- Chrome
- Other: Refer to Price List for additional finish



Submittal Information:

Job Name: _____
 Contractor: _____

Location: _____
 Contact #: _____