



# Hinton

## 60" x 60" Skirted Acrylic Corner Air Bath

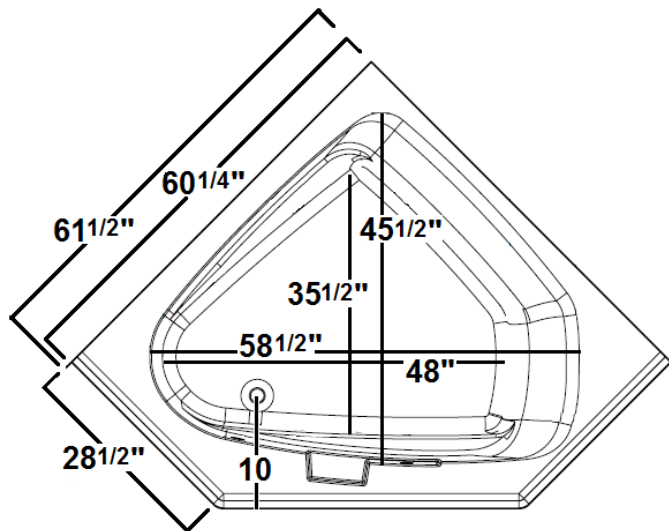
Model Number  
**6060HTA064**  
Skirted Air Bath in White

### Features

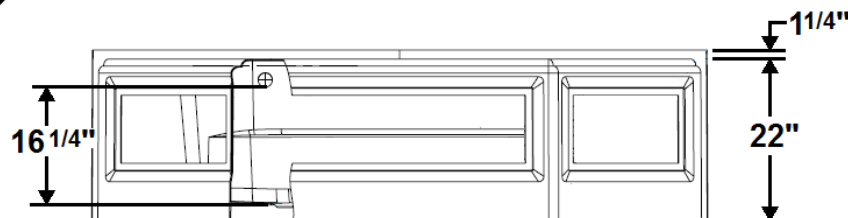
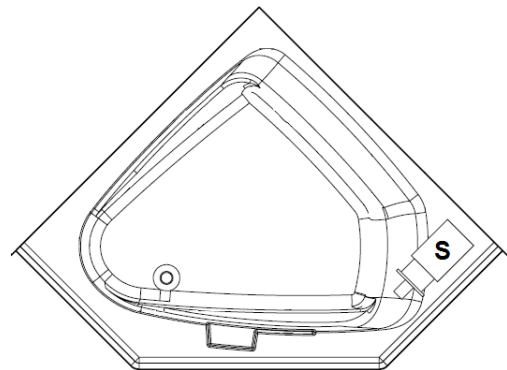
- 20 high output later air jets
- Color-matched trim
- 12.0 Amp variable speed blower
- 2 Pillows included
- Constructed of high-gloss durable acrylic
- Integral skirt with built-in access panels
- Integral tile flange
- Automatic purge cycle with timer
- Heaters available & Mood Light available
- Pre-leveled base for easy installation
- Made in the USA



**\*All dimensions are +/- 1/2" and subject to change without notice\***  
**Confirm specifications before installation**



Standard (S) Pump Location



### Technical Information

- Weight: 185 lbs.
- Water Depth to Overflow: 16 1/4"
- Operating Capacity: NA
- Water Capacity: 90 gal.
- Sump Dimension: 48" x 35 1/2"

### Electrical Requirements.

- Standard Blower: 12 Amps
- (Optional) LM305 Heater: 12.5 Amps
- Dedicated GFCI's required for each option

# Hinton

**6060HTA064**  
Skirted Air Bath in White

## Air Bath

Thousands of warm air bubbles provide an invigorating and yet relaxing, light, full body massage. The warm air movement increases blood circulation, soothes muscles and produces a feeling of well-being.

Laurel Mountain enables you to enhance your bathing experience by offering a broad range of options to customize your bath. The options available on this bath are shown below.

## AVAILABLE OPTIONS & UPGRADES

For Pricing, visit the "Help" page at [www.laurelmountainwhirlpools.com](http://www.laurelmountainwhirlpools.com). Download the Price book. For pictures and descriptions of options, go to [www.laurelmountainwhirlpools.com](http://www.laurelmountainwhirlpools.com) and click "options" tab found at the bottom of the website.

### Therapeutic

**LM305 12.5 Amp Water Heater (120V)**

**LM522 Chromatherapy**

### Accessories

#### **DEEP SOAK DRAINS**

LM200 Chrome

LM201 Brushed Nickel

LM202 Bronze

LM210 White

LM211 Biscuit

## INSTALLATION

Install this unit according to the Owner's Manual. The Owner's manual can be found by visiting the "Help" page at [www.laurelmountainwhirlpools.com](http://www.laurelmountainwhirlpools.com). Select "Installation" on the right side of the page. Then click on the "Colony Owner's Manual".