



PRIMÓ™ COLLECTION

**TECHNICAL SPECIFICATIONS MANUAL -
WHIRLPOOL BATHTUBS
AIR BATH BATHTUBS
SOAKING BATHTUBS**

Jacuzzi® Luxury Bath

14525 Monte Vista Avenue
Chino, CA 91710
1-800-288-4002
www.jacuzzi.com

Technical Specifications**NOTE**

Read complete instructions before beginning installation.

Each bathtub arrives ready for installation, completely equipped with the appropriate equipment: air bath blower or , whirlpool pump assembly, heater (optional), and plumbing necessary for operation.

Remove the bathtub from the carton. Retain the shipping carton until satisfactory inspection of the product has been made. Do not lift the bathtub by the plumbing or wiring at any time; handle by the shell only.

Immediately upon receipt, inspect the shell before installing. Should inspection reveal any damage or defect in the finish, do not install the bathtub. Damage or defect to the finish claimed after the bathtub is installed is excluded from the warranty.

Jacuzzi Luxury Bath's responsibility for shipping damage ceases upon delivery of the products in good order to the carrier. Refer any claims for damage to the carrier. For definitions of warranty coverage and limitations, refer to the published warranty information packed with the product.

All bathtub units are factory tested for proper operation and watertight connections prior to shipping.

NOTE

Prior to installation, the bathtub must be filled with water and operated to check for leaks that may have resulted from shipping damage or mishandling. Jacuzzi Luxury Bath is not responsible for any defect that could have been discovered, repaired, or avoided by following this inspection and testing procedure.

Table of Contents

Whirlpool Models.....	3
Air Bath Models.....	7
Soaking Bath Models.....	11

6032, 6036 and 7242 Drop-In Whirlpool Bathtub

Letter	Description	6032		6036		7242	
		English	Metric	English	Metric	English	Metric
-	Drain Location	Universal end drain					
-	Whirlpool Pump Location	Opposite end of drain					
-	Cutout	58.00" x 30.00"	1473 mm x 762 mm	58.00" x 34.00"	1473 mm x 864 mm	70.00" x 40.00"	1778 mm x 1016 mm
-	Total Weight	757 lbs.	343 kg	769 lbs.	349 kg	982 lbs.	445 kg
-	Floor Loading	56.8 lb/ft ²	277 kg/m ²	51.3 lb/ft ²	250 kg/m ²	46.7 lb/ft ²	228 kg/m ²
-	Operating Gallons (Min/Max)	31 / 53	117 L / 201 L	45 / 54	170 L / 204 L	40 / 70	151 L / 265 L
-	Product Weight	66 lbs.	30 kg	68lbs.	31 kg	82 lbs.	37 kg
L	Outer Length	60.00"	1524 mm	60.00"	1524 mm	72.00"	1829 mm
W	Outer Width	32.00"	813 mm	36.00"	914 mm	42.00"	1067 mm
H	Overall Height	19.00"	483 mm	21.00"	533 mm	21.00"	533 mm
A	Overflow Height	15.25"	387 mm	17.50"	445 mm	17.50"	445 mm
B	Deck Edge to Drain Center	10.40"	264 mm	10.40"	264 mm	10.40"	264 mm
C	Short Edge to Drain Center	16.00"	406 mm	18.00"	457 mm	21.00"	533 mm
D	Drain Shoe Length	8.25"	210 mm	8.25"	210 mm	8.25"	210 mm
E	Deck Height	2.00"	51 mm	2.00"	51 mm	2.00"	51 mm
¹ F	Deck Width	3.75"	95 mm	3.75"	95 mm	4.25"	108 mm
G	Service Access Dimensions	12.00" x 18.00"	305mm x 457mm	12.00" x 18.00"	305mm x 457mm	2.00" x 18.00"	305mm x 457mm
I	Floor Cutout for Drain	12.00" x 4.00"	305 mm x 102 mm	12.00" x 4.00"	305 mm x 102 mm	12.00" x 4.00"	305 mm x 102 mm
J	Interior Dimensions (bottom of bath) L x W	41.50" x 18.60"	1054 mm x 472 mm	40.00" x 24.30"	1016 mm x 617 mm	51.70" x 29.00"	1313 mm x 737 mm

NOTE

The overall dimensions are nominal with a tolerance of +0 and -1/4" (6mm).

Electrical Specifications

(Each component requires a separate, dedicated GFCI protected circuit)

Motor/Pump

120V 15A 60HZ

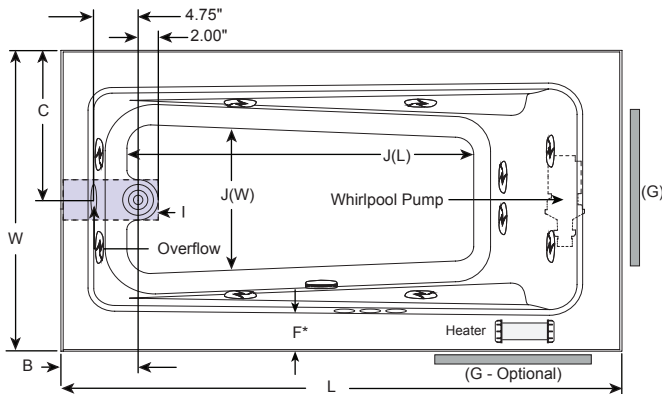
Heater

120V 15A 60HZ

(Heater is optional on models 6032 and 6036)

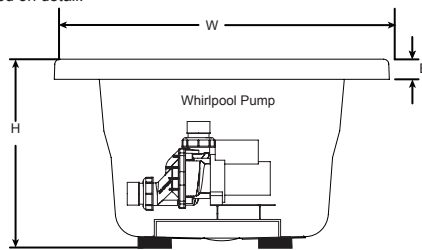
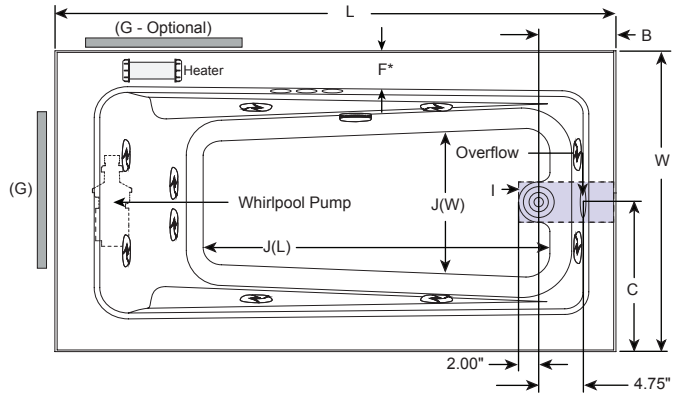
KEY DIMENSIONS

Installed Left-Hand Orientation

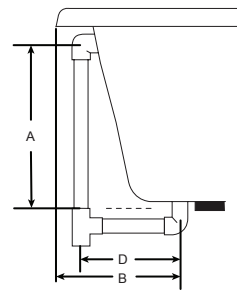


*Deck width reflects only area indicated on detail.

Installed Right-Hand Orientation



End View



Drain/Overflow

NOTE: Drawings not to scale.

6042 Oval Drop-In Whirlpool Bathtub

Letter	Description	English	Metric
-	Drain Location	Universal end drain	
-	Whirlpool Pump Location	Opposite end of drain	
-	Cutout	58" x 40"	1473 mm x 1016 mm
-	Total Weight	879 lbs.	399 kg
-	Floor Loading	50.2 lb/ft ²	245 kg/m ²
-	Operating Gallons (Min/Max)	32 / 66	121 l / 250 l
-	Product Weight	79 lbs.	36 kg
L	Outer Length	60.00"	1524 mm
W	Outer Width	42.00"	1067 mm
H	Overall Height	21.00"	533 mm
A	Overflow Height	17.75"	451 mm
B	Long Edge to Drain Center	12.60"	320 mm
C	Short Edge to Drain Center	21.06"	535 mm
D	Drain Shoe Length	10.45"	265 mm
E	Deck Height	2.00"	51 mm
F	Deck Width	5.00"	127 mm
G	Service Access Dimensions	12" x 18"	305mm x 457mm
I	Floor Cutout for Drain	12" x 4"	305 mm x 102 mm
J	Interior Dimensions (W x L)	39.80" x 24.00"	1011 mm x 610 mm

NOTE

The overall dimensions are nominal with a tolerance of +0 and -1/4" (6mm).

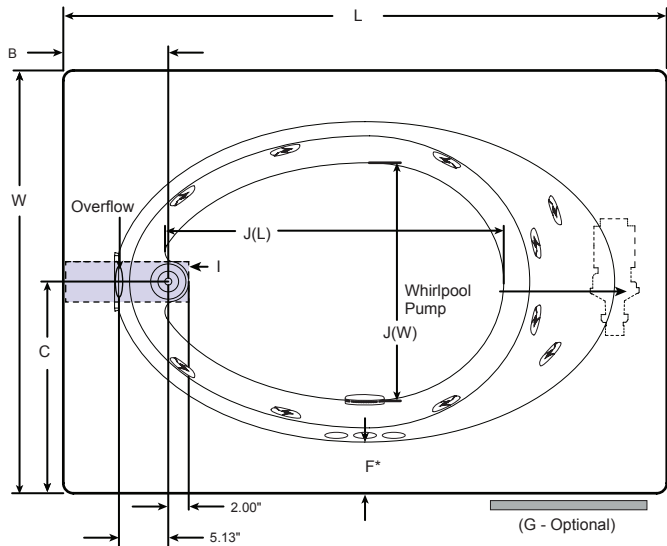
Electrical Specifications

(Each component requires a separate, dedicated GFCI protected circuit)

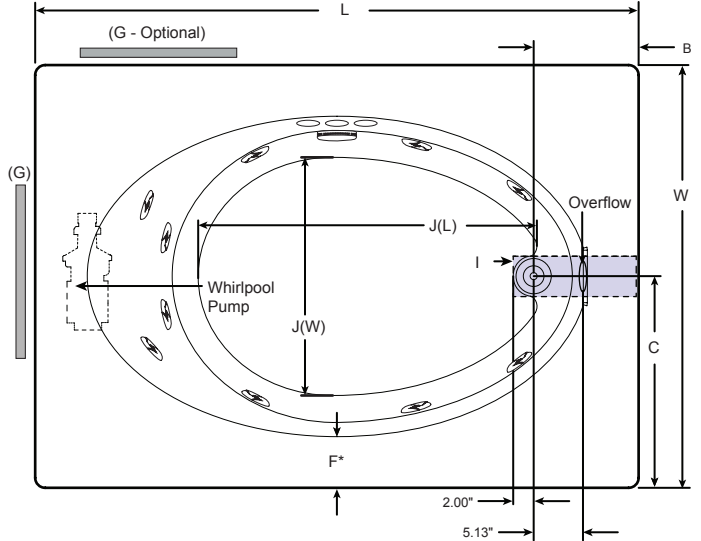
Motor/Pump 120V 15A 60HZ
 Heater (optional) 120V 15A 60HZ

Key Dimensions

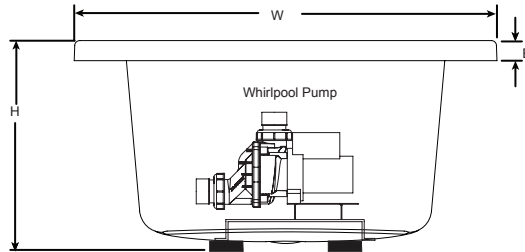
Installed Left-Hand Orientation



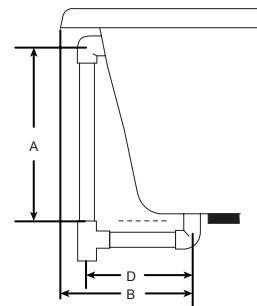
Installed Right-Hand Orientation



*Deck width reflects only area indicated on detail.



End View



Drain/Overflow

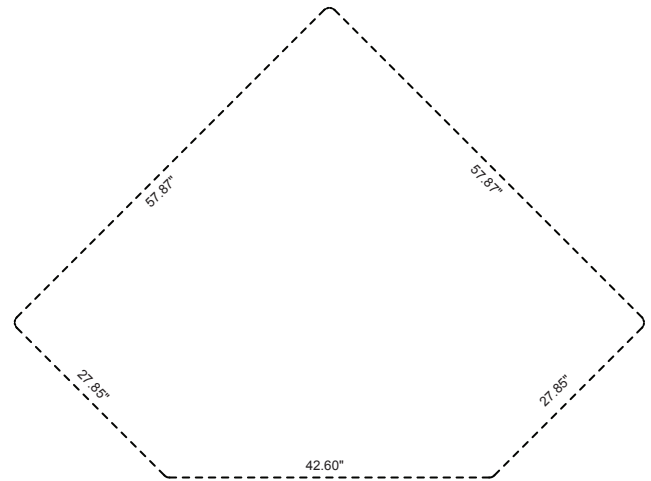
NOTE: Drawings not to scale.

6060 Corner Whirlpool Bathtub

Letter	Description	English	Metric
-	Drain Location	Center	
-	Whirlpool Pump Location	LH / RH	
-	Cutout	See Below	
-	Total Weight	1057 lbs.	4789 kg
-	Floor Loading	42.3 lb/ft ²	207 kg/m ²
-	Operating Gallons (Min/Max)	55 / 86	208 L / 326 L
-	Product Weight	91 lbs.	41 kg
L	Outer Length	60.00"	1524 mm
W	Outer Width	60.00"	1524 mm
H	Overall Height	21.00"	533 mm
A	Overflow Height	17.50"	445 mm
B	Long Edge to Drain Center	12.50"	318 mm
C	Short Edge to Drain Center	35.75"	908 mm
D	Drain Shoe Length	4.50"	114 mm
E	Flange Height	2.00"	51 mm
F	Deck Width	4.38"	111 mm
G	Service Access Dimensions	12" x 18"	305mm x 457mm
I	Floor Cutout for Drain	12.00" x 4.00"	305 mm x 102 mm
J	Interior Dimensions (W x L)	48.00" x 39.00"	1213 mm x 991 mm

NOTE

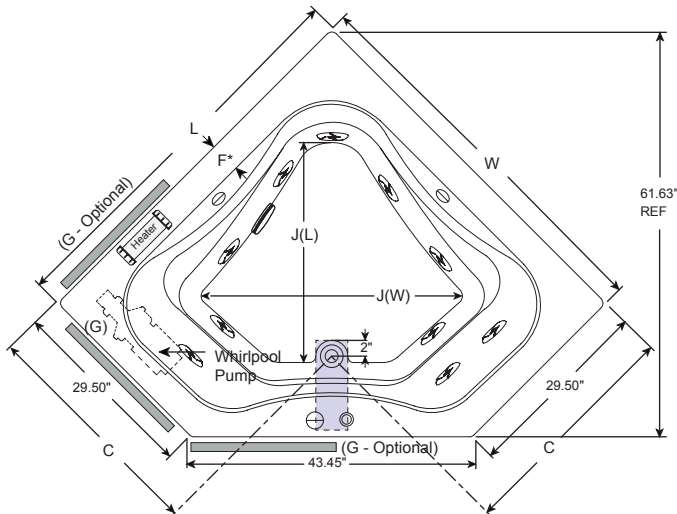
The overall dimensions are nominal with a tolerance of +0 and -1/4" (6mm).
 Electrical Specifications
 (Each component requires a separate, dedicated GFCI protected circuit)
 Motor/Pump 120V 15A 60HZ
 Heater 120V 15A 60HZ



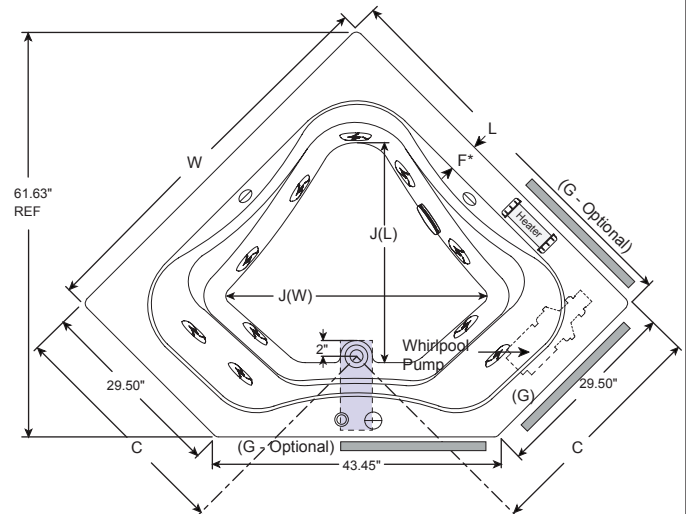
Template Cutout

Key Dimensions

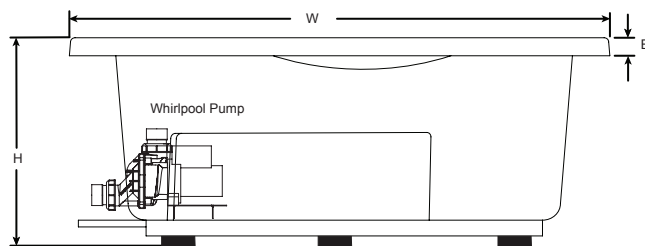
(Left Hand Model)



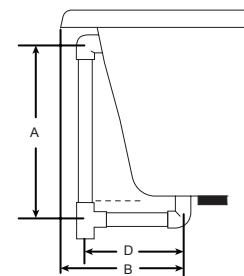
(Right Hand Model)



*Deck width reflects only area indicated on detail.



End View



Drain/Overflow

NOTE: Drawings not to scale.

6032 Skirted Air Bath LH/RH Bathtub

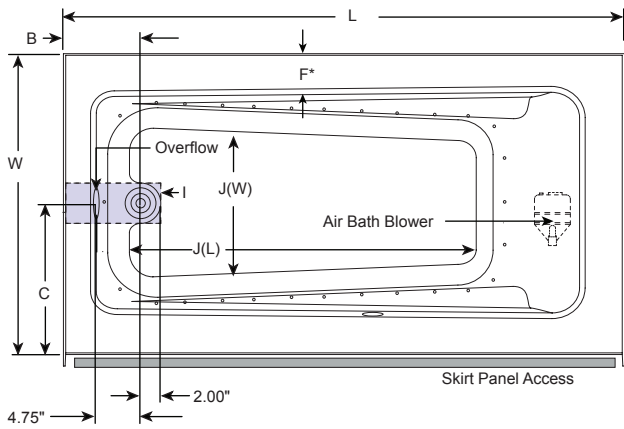
Letter	Description	English	Metric
-	Drain Location	Universal end drain	
-	Air Bath Blower Location	Opposite end of drain	
-	Cutout	58" x 40"	1473 mm x 1016 mm
-	Total Weight	760 lbs	345 kg
-	Floor Loading	42.3 lb/ft ²	207 kg/m ²
-	Operating Gallons (Min/Max)	31 / 53	117 L / 201 L
-	Product Weight	69 lbs	31 kg
L	Outer Length	60.00"	227 mm
W	Outer Width	32.00"	813 mm
H	Overall Height	20.25"	514 mm
A	Overflow Height	15.25"	387 mm
B	Long Edge to Drain Center	10.40"	264 mm
C	Short Edge to Drain Center	16.00"	406 mm
D	Drain Shoe Length	8.25"	210 mm
E	Flange Height	1.25"	32 mm
F	Deck Width	3.75"	95 mm
G	Service Access Dimensions	N/A	
I	Floor Cutout for Drain	12.00" x 4.00"	305 mm x 102 mm
J	Interior Dimensions (W x L)	41.50" x 18.60"	1054 mm x 472 mm

NOTE

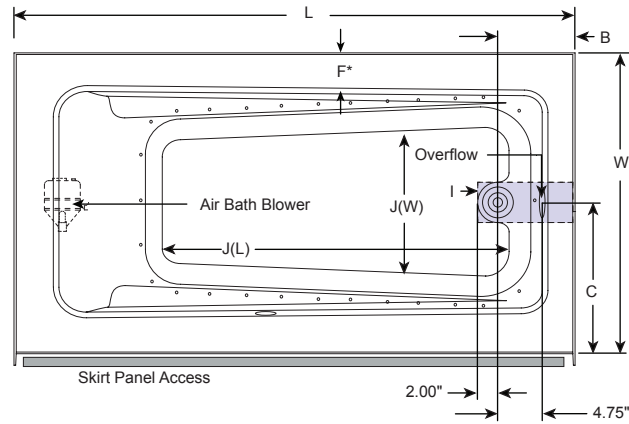
The overall dimensions are nominal with a tolerance of +0 and -1/4" (6mm).
 Electrical Specifications
 (Each component requires a separate, dedicated GFCI protected circuit)
 Blower 120V 15A 60HZ

Key Dimensions

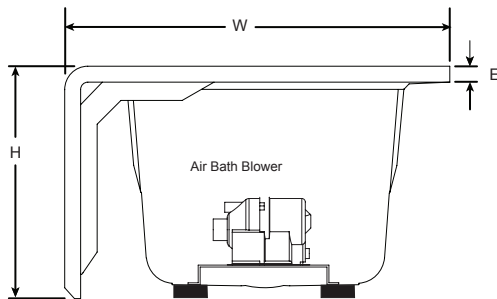
(Left Hand Model)



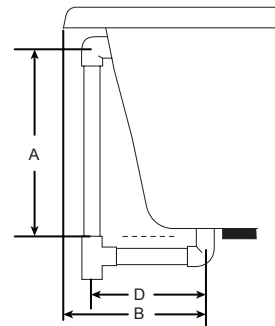
(Right Hand Model)



*Deck width reflects only area indicated on detail.



End View



Drain/Overflow

NOTE: Drawings not to scale.

6032, 6036 and 7242 Air Bath Drop-In Bathtub

Letter	Description	6032		6036		7242	
		English	Metric	English	Metric	English	Metric
-	Drain Location	Universal end drain					
-	Air Bath Blower Location	Opposite end of drain					
-	Cutout	58.00" x 30.00"	1473 mm x 762 mm	58.00" x 34.00"	1473 mm x 864 mm	70.00" x 40.00"	1778 mm x 1016 mm
-	Total Weight	760 lbs	345 kg	766 lbs	347 kg	982 lbs	445 kg
-	Floor Loading	57.0 lb/ft ²	278 kg/m ²	51.1 lb/ft ²	249 kg/m ²	46.7 lb/ft ²	228 kg/m ²
-	Operating Gallons (Min/Max)	31 / 53	117 L / 201 L	45 / 54	170 L / 204 L	40 / 70	151 L / 265 L
-	Product Weight	69 lbs	31 kg	66 lbs	30 kg	82 lbs	37 kg
L	Outer Length	60.00"	1524 mm	60.00"	1524 mm	72.00"	1829 mm
W	Outer Width	32.00"	813 mm	36.00"	914 mm	42.00"	1067 mm
H	Overall Height	19.00"	483 mm	21.00"	533 mm	21.00"	533 mm
A	Overflow Height	15.25"	387 mm	17.50"	445 mm	17.50"	445 mm
B	Deck Edge to Drain Center	10.40"	264 mm	10.40"	264 mm	10.40"	264 mm
C	Short Edge to Drain Center	16.00"	406 mm	18.00"	457 mm	21.00"	533 mm
D	Drain Shoe Length	8.25"	210 mm	8.25"	210 mm	8.25"	210 mm
E	Deck Height	2.00"	51 mm	2.00"	51 mm	2.00"	51 mm
¹ F	Deck Width	3.75"	95 mm	3.75"	95 mm	4.25"	108 mm
G	Service Access Dimensions	12.00" x 18.00"	305mm x 457mm	12.00" x 18.00"	305mm x 457mm	12.00" x 18.00"	305mm x 457mm
I	Floor Cutout for Drain	12.00" x 4.00"	305 mm x 102 mm	12.00" x 4.00"	305 mm x 102 mm	12.00" x 4.00"	305 mm x 102 mm
J	Interior Dimensions (bottom of bath) L x W	41.50" x 18.60"	1054 mm x 472 mm	40.00" x 24.30"	1016 mm x 617 mm	51.70" x 24.00"	1313 mm x 737 mm

NOTE

The overall dimensions are nominal with a tolerance of +0 and -1/4" (6mm).

Electrical Specifications

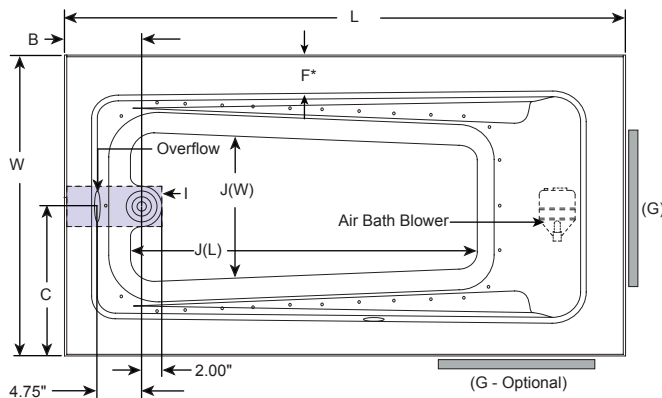
(Each component requires a separate, dedicated GFCI protected circuit)

Blower

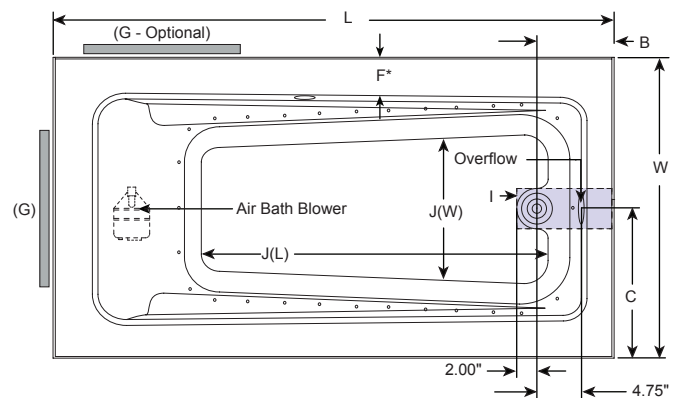
120V 15A 60HZ

KEY DIMENSIONS

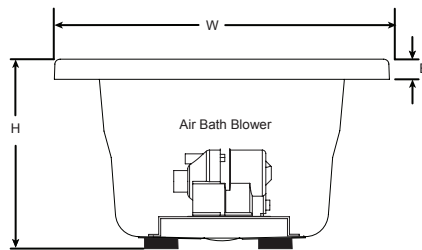
Installed Left-Hand Orientation



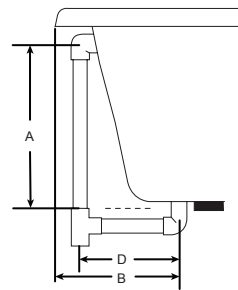
Installed Right-Hand Orientation



*Deck width reflects only area indicated on detail.



End View



Drain/Overflow

NOTE: Drawings not to scale.

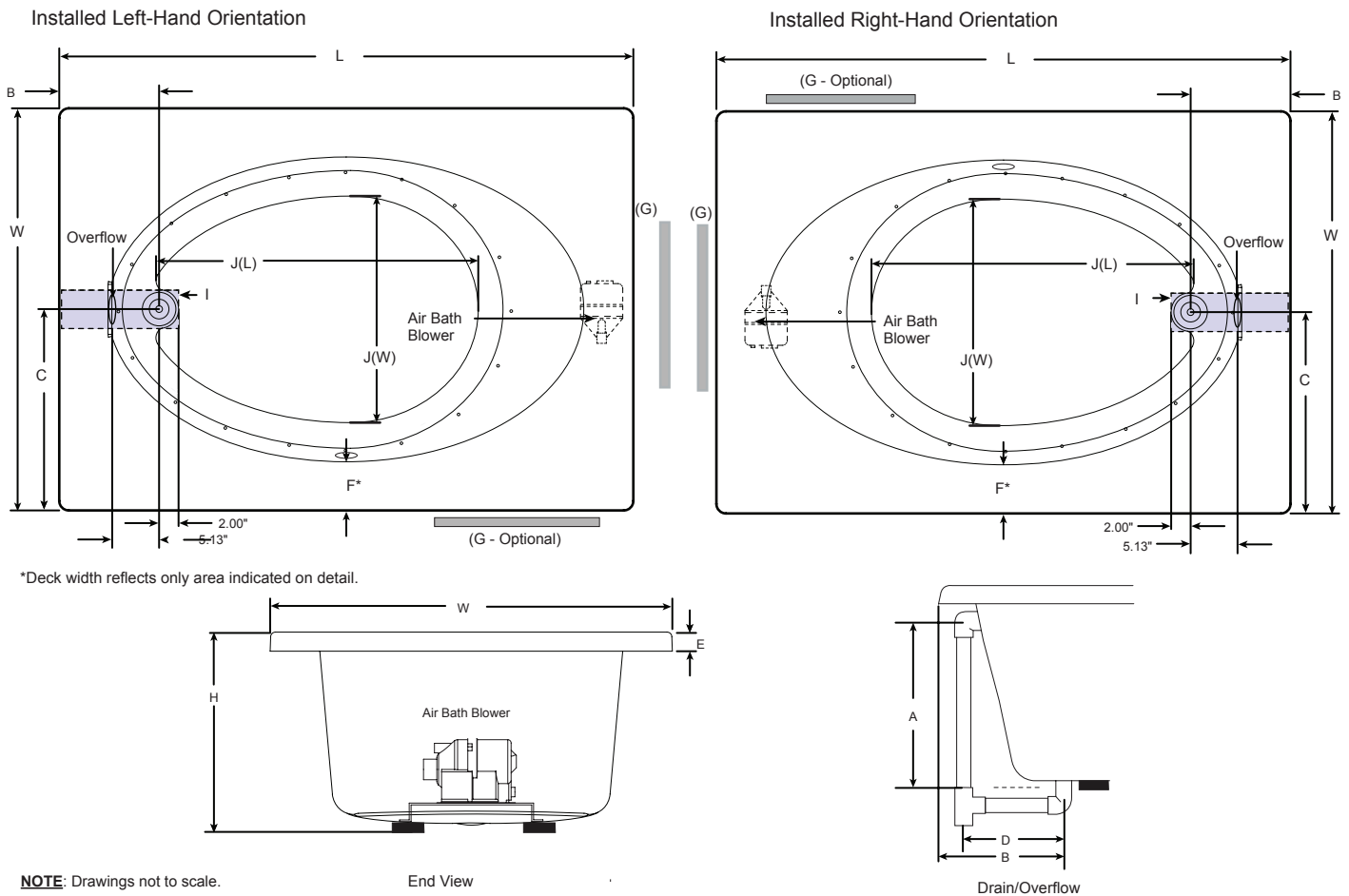
6042 Oval Drop-In Air Bath Bathtub

Letter	Description	English	Metric
-	Drain Location	Universal end drain	
-	Air Bath Blower Location	Opposite end of drain	
-	Cutout	58" x 40"	1473 mm x 1016 mm
-	Total Weight	879 lbs	399 kg
-	Floor Loading	50.2 lb/ff ²	kg/m ²
-	Operating Gallons (Min/Max)	32 / 66	121 l / 250 l
-	Product Weight	79 lbs	36 kg
L	Outer Length	60.00"	1524 mm
W	Outer Width	42.00"	1067 mm
H	Overall Height	21.00"	533 mm
A	Overflow Height	17.50"	445 mm
B	Long Edge to Drain Center	12.60"	320 mm
C	Short Edge to Drain Center	21.06"	535 mm
D	Drain Shoe Length	10.45"	265 mm
E	Flange Height	2.00"	51 mm
F	Deck Width	5.00"	127 mm
G	Service Access Dimensions	12" x 18"	305mm x 457mm
I	Floor Cutout for Drain	12.00" x 4.00"	305 mm x 102 mm
J	Interior Dimensions (W x L)	39.80" x 24.00"	1011 mm x 610 mm

NOTE

The overall dimensions are nominal with a tolerance of +0 and -1/4" (6mm).
 Electrical Specifications
 (Each component requires a separate, dedicated GFCI protected circuit)
 Blower 120V 15A 60HZ

Key Dimensions

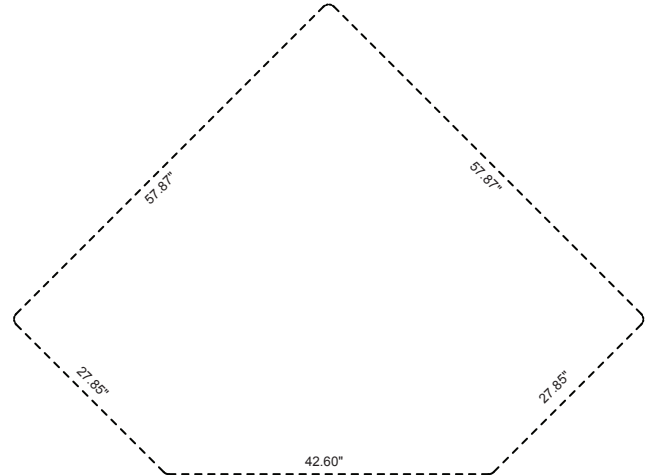


6060 Corner Air Bath Bathtub

Letter	Description	English	Metric
-	Drain Location	Center	
-	Air Bath Blower Location	LH / RH	
-	Cutout	See Below	
-	Total Weight	1057 lbs.	4789 kg
-	Floor Loading	42.3 lb/ft ²	207 kg/m ²
-	Operating Gallons (Min/Max)	55 / 86	208 L / 326 L
-	Product Weight	91 lbs.	41 kg
L	Outer Length	60.00"	1524 mm
W	Outer Width	60.00"	1524 mm
H	Overall Height	21.00"	533 mm
A	Overflow Height	17.50"	445 mm
B	Long Edge to Drain Center	12.50"	318 mm
C	Short Edge to Drain Center	35.75"	908 mm
D	Drain Shoe Length	4.50"	114 mm
E	Flange Height	2.00"	51 mm
F	Deck Width	4.38"	111 mm
G	Service Access Dimensions	12" x 18"	305mm x 457mm
I	Floor Cutout for Drain	12.00" x 4.00"	305 mm x 102 mm
J	Interior Dimensions (W x L)	48.00" x 39.00"	1213 mm x 991 mm

NOTE

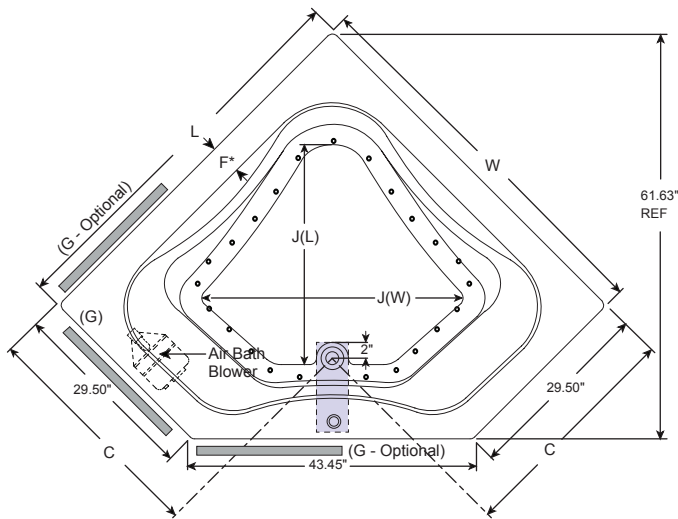
The overall dimensions are nominal with a tolerance of +0 and -1/4" (6mm).

 Electrical Specifications
 (Each component requires a separate, dedicated GFCI protected circuit)
 Blower 120V 15A 60HZ


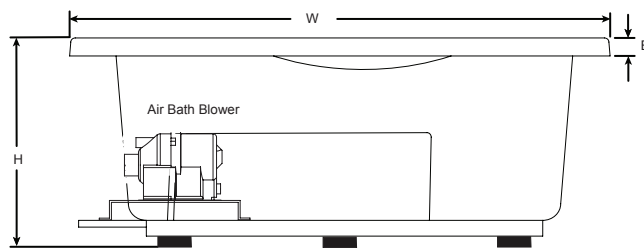
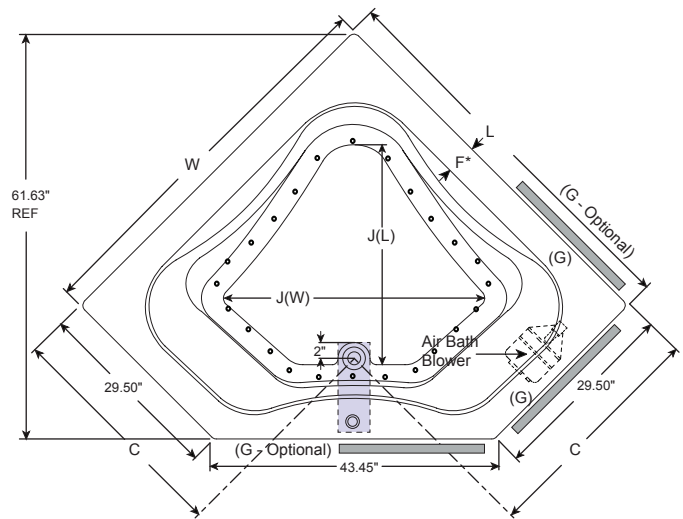
Template Cutout

Key Dimensions

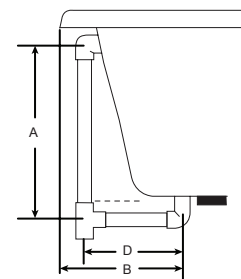
(Left Hand Model)



(Right Hand Model)



End View



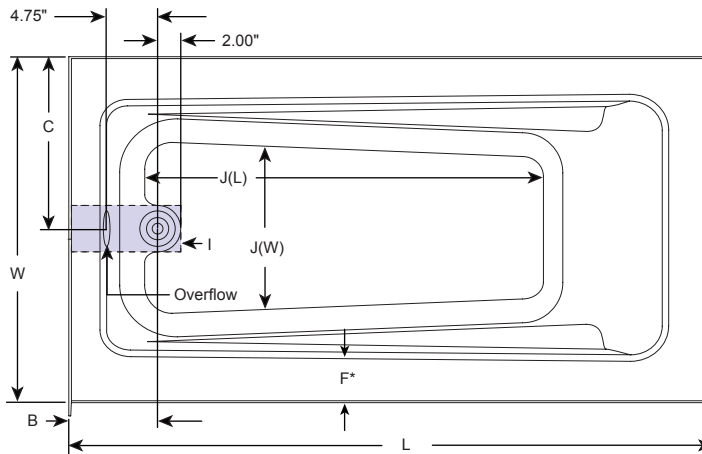
Drain/Overflow

NOTE: Drawings not to scale.

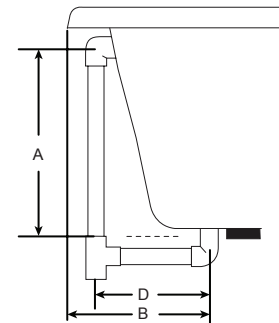
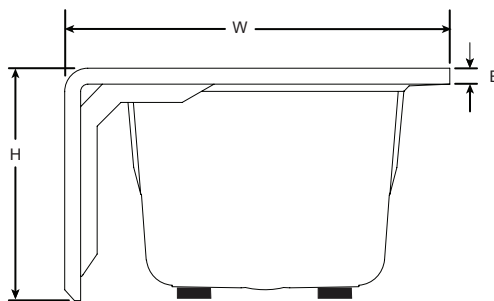
6032 Skirted Soaking LH/RH Bathtub

Letter	Description	English	Metric
-	Drain Location		End
-	Cutout		N/A
-	Total Weight	746 lbs	338 kg
-	Floor Loading	56 lb/ft ²	278 kg/m ²
-	Operating Gallons	53 gal	201 L
-	Product Weight	55 lbs	25 kg
L	Outer Length	60.00"	1524 mm
W	Outer Width	32.00"	813 mm
H	Overall Height	20.25"	514 mm
A	Overflow Height	15.25"	387 mm
B	Long Edge to Drain Center	10.40"	264 mm
C	Short Edge to Drain Center	16.00"	406 mm
D	Drain Shoe Length	8.25"	210 mm
E	Flange Height	1.25"	32 mm
F	Deck Width	3.75"	95 mm
I	Floor Cutout for Drain	12.00" x 4.00"	305 mm x 102 mm
J	Interior Dimensions (W x L)	41.50" x 18.60"	1054 mm x 472 mm

Key Dimensions



*Deck width reflects only area indicated on detail.



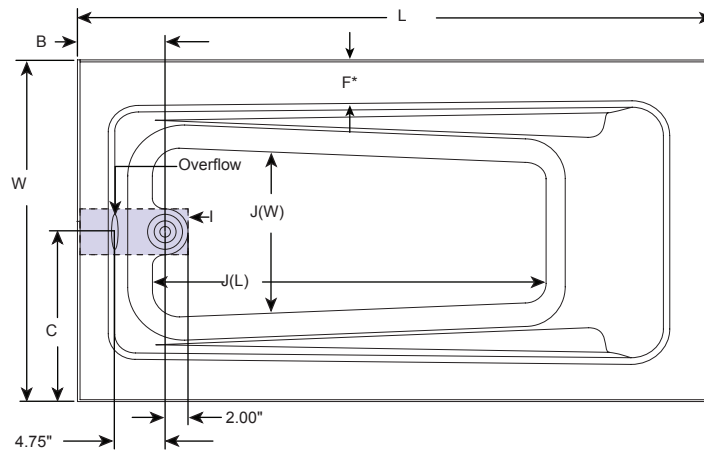
NOTE: Drawings not to scale.

End View

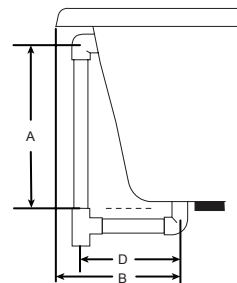
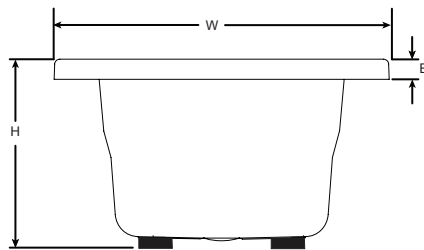
Drain/Overflow

6032, 6036 and 7242 Soaking Drop-In Bathtub

Letter	Description	6032		6036		7242	
		English	Metric	English	Metric	English	Metric
-	Drain Location	End					
-	Cutout	58.00" x 30.00"	1473 mm x 762 mm	58.00" x 34.00"	1473 mm x 864 mm	70.00" x 40.00"	1778 mm x 1016 mm
-	Total Weight	746 lbs	338 kg	752 lbs	341 kg	966	438 kg
-	Floor Loading	56 lb/ft ²	273 kg/m ²	50.1 lb/ft ²	245 kg/m ²	46 lb/ft ²	225 kg/m ²
-	Operating Gallons	53 gal	201 L	54 gal	204 L	78 gal	265 L
-	Product Weight	55 lbs	25 kg	60 lbs	27 kg	66 lbs	30 kg
L	Outer Length	60.00"	1524 mm	60.00"	1524 mm	72.00"	1829 mm
W	Outer Width	32.00"	813 mm	36.00"	914 mm	42.00"	1067 mm
H	Overall Height	19.00"	483 mm	21.00"	533 mm	21.00"	533 mm
A	Overflow Height	15.25"	387 mm	17.50"	445 mm	17.50"	445 mm
B	Deck Edge to Drain Center	10.40"	264 mm	10.40"	264 mm	10.40"	264 mm
C	Short Edge to Drain Center	16.00"	406 mm	18.00"	457 mm	21.00"	533 mm
D	Drain Shoe Length	8.25"	210 mm	8.25"	210 mm	8.25"	210 mm
E	Deck Height	2.00"	51 mm	2.00"	51 mm	2.00"	51 mm
F	Deck Width	3.75"	95 mm	3.75"	95 mm	4.25"	108 mm
I	Floor Cutout for Drain	12.00" x 4.00"	305 mm x 102 mm	12.00" x 4.00"	305 mm x 102 mm	12.00" x 4.00"	305 mm x 102 mm
J	Interior Dimensions (bottom of bath) L x W	41.50" x 18.60"	1054 mm x 472 mm	40.00" x 24.30"	1016 mm x 617 mm	51.70" x 24.00"	1313 mm x 610 mm

KEY DIMENSIONS


*Deck width reflects only area indicated on detail.



NOTE: Drawings not to scale.

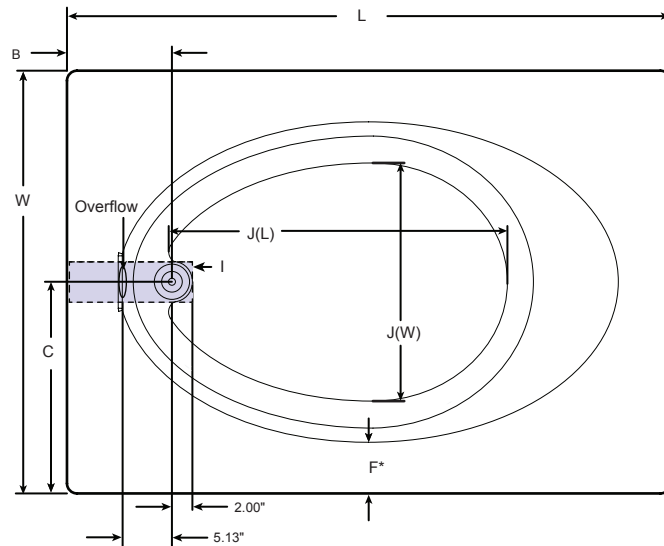
End View

Drain/Overflow

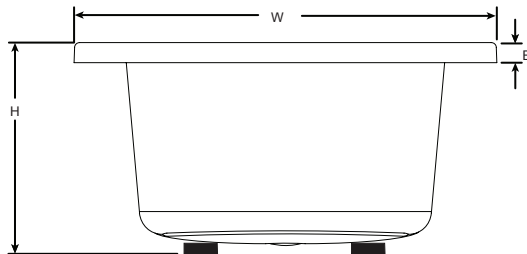
6042 Oval Drop-In Soaking Bathtub

Letter	Description	English	Metric
-	Drain Location	End	
-	Cutout	58.00" x 40.00"	1473 mm x 1016 mm
-	Total Weight	863 lbs	391 kg
-	Floor Loading	49.3 lb/ft ²	241 kg/m ²
-	Operating Gallons	66 gal	250 L
-	Product Weight	66 lbs	30 kg
L	Outer Length	60.00"	1524 mm
W	Outer Width	42.00"	1067 mm
H	Overall Height	21.00"	533 mm
A	Overflow Height	17.50"	445 mm
B	Long Edge to Drain Center	12.60"	320 mm
C	Short Edge to Drain Center	21.06"	535 mm
D	Drain Shoe Length	10.45"	265 mm
E	Deck Height	2.00"	51 mm
F	Deck Width	5.00"	127 mm
I	Floor Cutout for Drain	12.00" x 4.00"	305 mm x 102 mm
J	Interior Dimensions (W x L)	39.80" x 24.00"	1011 mm x 610 mm

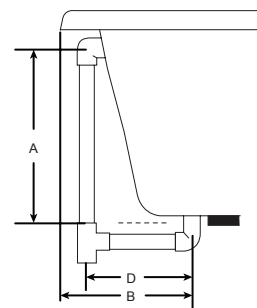
Key Dimensions



*Deck width reflects only area indicated on detail.



End View

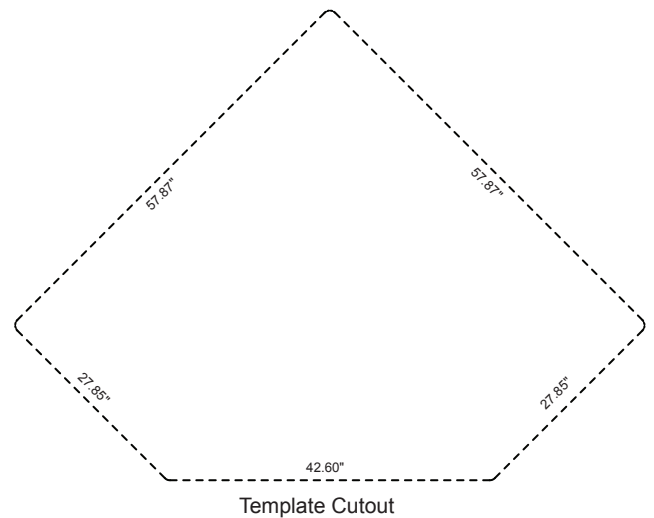
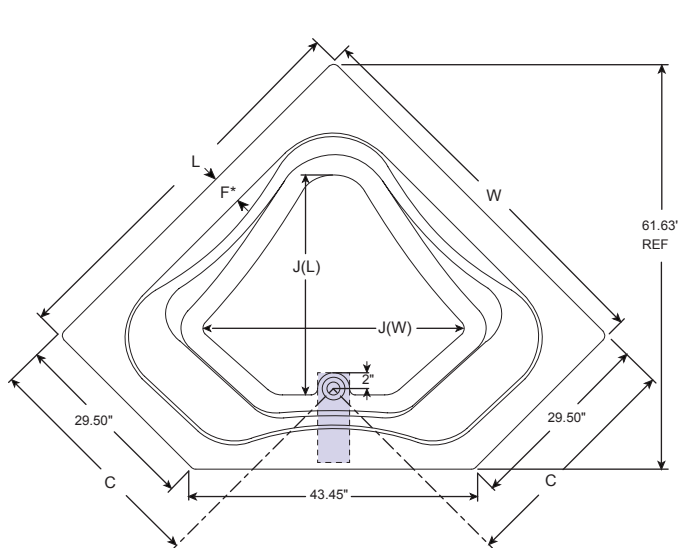


Drain/Overflow

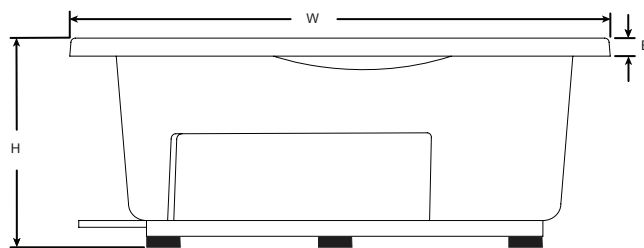
NOTE: Drawings not to scale.

6060 Corner Soaking Bathtub

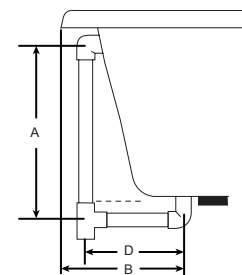
Letter	Description	English	Metric
-	Drain Location	Center	
-	Cutout	See Below	
-	Total Weight	1042 lbs	473 kg
-	Floor Loading	41.7lb/ft ²	204 kg/m ²
-	Operating Gallons (Min/Max)	86 gal	326 L
-	Product Weight	76 lbs	34 kg
L	Outer Length	60.00"	1524 mm
W	Outer Width	60.00"	1524 mm
H	Overall Height	21.00"	533 mm
A	Overflow Height	17.50"	445 mm
B	Long Edge to Drain Center	12.50"	318 mm
C	Short Edge to Drain Center	35.75"	908 mm
D	Drain Shoe Length	4.50"	114 mm
E	Deck Height	2.00"	51 mm
F	Deck Width	5.00"	127 mm
I	Floor Cutout for Drain	12.00" x 4.00"	305 mm x 102 mm
J	Interior Dimensions (W x L)	48.00" x 39.00"	1213 mm x 991 mm

Key Dimensions


*Deck width reflects only area indicated on detail.



End View



Drain/Overflow

NOTE: Drawings not to scale.