

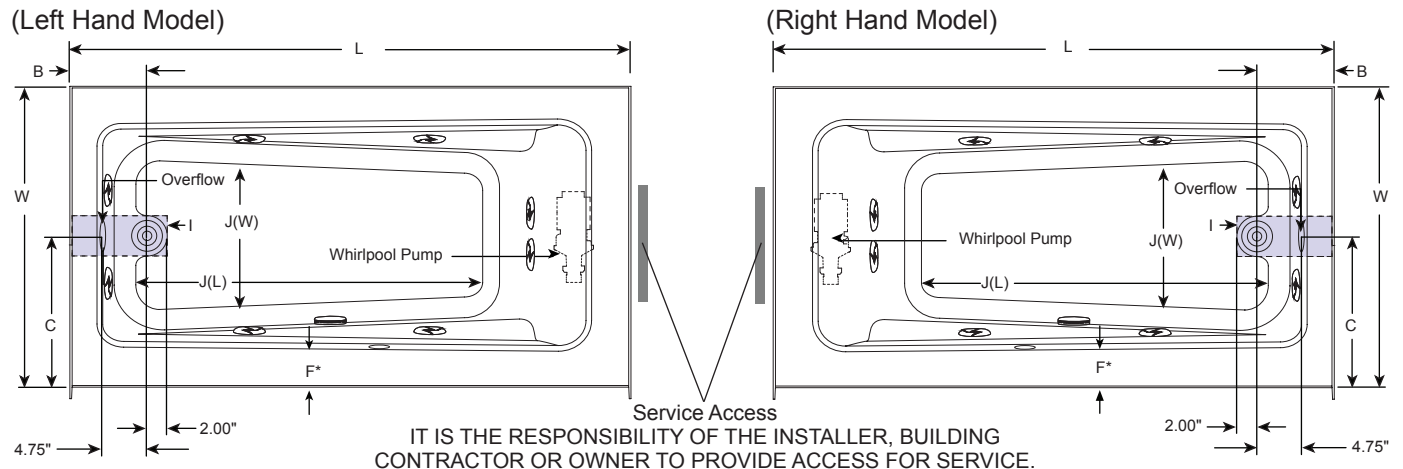
Primo 6030 & 6032 Skirted Whirlpool w/o Access Panel

Letter	Description	6030	6032
-	Drain Location	Left Hand / Right Hand	Left Hand / Right Hand
-	Whirlpool Pump Location	Opposite end of drain	Opposite end of drain
-	Cutout	N/A	N/A
-	Total Weight	759 lbs (344 kg)	760 lbs (345 kg)
-	Floor Loading	61 lb/ft ² (299 kg/m ²)	57 lb/ft ² (278 kg/m ²)
-	Operating Gallons (Min / Max)	31 gal (117 L) / 53 gal (201 L)	31 gal (117 L) / 53 gal (201 L)
-	Product Weight	68 lbs (31 kg)	69 lbs (31 kg)
L	Outer Length	60.00" (1524 mm)	60.00" (1524 mm)
W	Outer Width	30.00" (762 mm)	32.00" (813 mm)
H	Overall Height	20.25" (514 mm)	20.25" (514 mm)
A	Overflow Height	15.25" (387 mm)	15.25" (387 mm)
B	Short Edge to Drain Center	8.25" (210 mm)	8.25" (210 mm)
C	Long Edge to Drain Center	16.00" (406 mm)	16.00" (406 mm)
D	Drain Shoe Length	6.25" (159 mm)	6.25" (159 mm)
E	Flange Height	1.25" (32 mm)	1.25" (32 mm)
F	Deck Width	3.75" (95 mm)	3.75" (95 mm)
G	Service Access Dimensions	12" X 18" (305 mm x 458 mm)	12" X 18" (305 mm x 458 mm)
I	Floor Cutout for Drain	12.00" x 4.00" (305 mm x 102 mm)	12.00" x 4.00" (305 mm x 102 mm)
J	Interior Dimensions J(L) x J(W)	41.50" x 18.60" (1054 mm x 472 mm)	41.50" x 18.60" (1054 mm x 472 mm)

Electrical Specifications

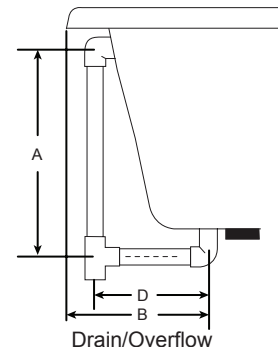
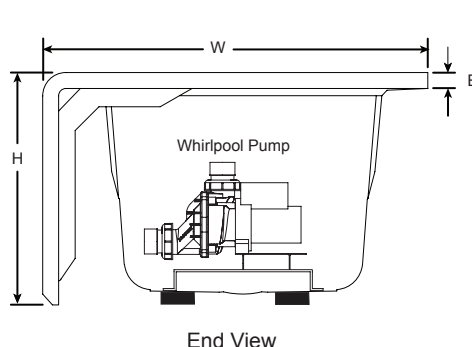
(Each component requires a separate, dedicated GFCI protected circuit)

Motor/Pump 120V 15A 60HZ
 Heater* 120V 15A 60HZ
 *Only applicable to models with factory installed heater

Key Dimensions (The overall dimensions are nominal with a tolerance of +0 and -1/4" (6mm))


*Deck width reflects only area indicated on detail.

NOTE: Drawings not to scale. 6032 models illustrated; 6030 models will have a 6-jet system.



©2017 Jacuzzi Luxury Bath • For additional information call Customer Service 800-288-4002 • <http://www.jacuzzi.com/baths/support/specs-and-manuals/>
 Refer to installation instructions included with fixture before beginning installation. Please confirm product availability and specifications before commencing with any installation work.
 PRODUCT SPECIFICATIONS AND AVAILABILITY ARE SUBJECT TO CHANGE WITHOUT NOTICE.