

ASSEMBLED DIMENSIONS

27" (685 mm) x 18.75" (476 mm) x 30" (762 mm)

ROUGH-IN

12" (305 mm)

PACKAGING

Close-Coupled, Two-Piece Toilet (Bowl Model: N7716; Tank Model: N7714)

MATERIALS

Vitreous China – White Finish

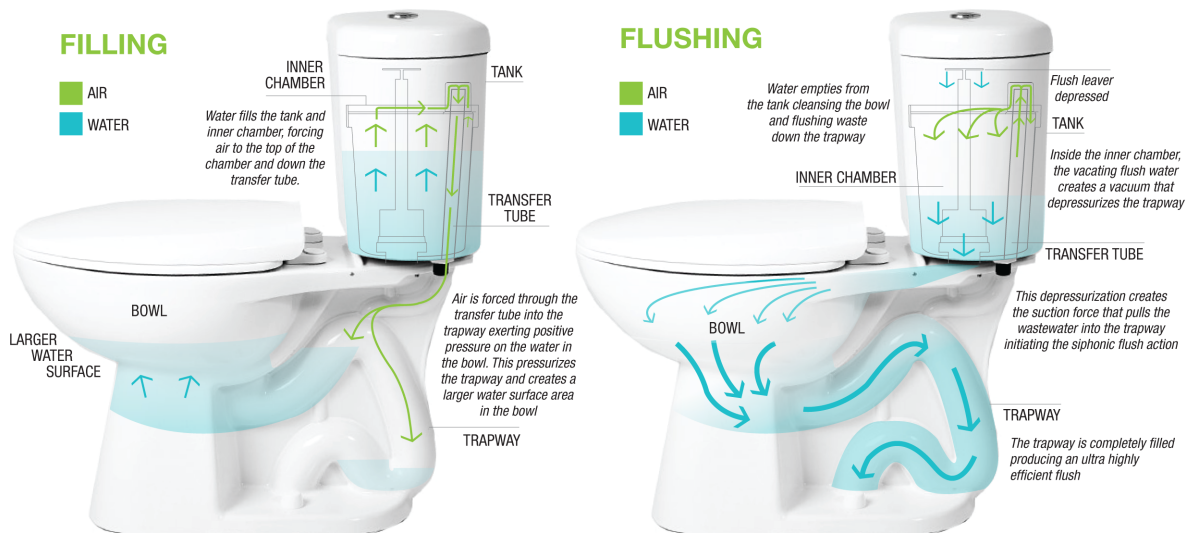
PRODUCT SPECIFICATIONS

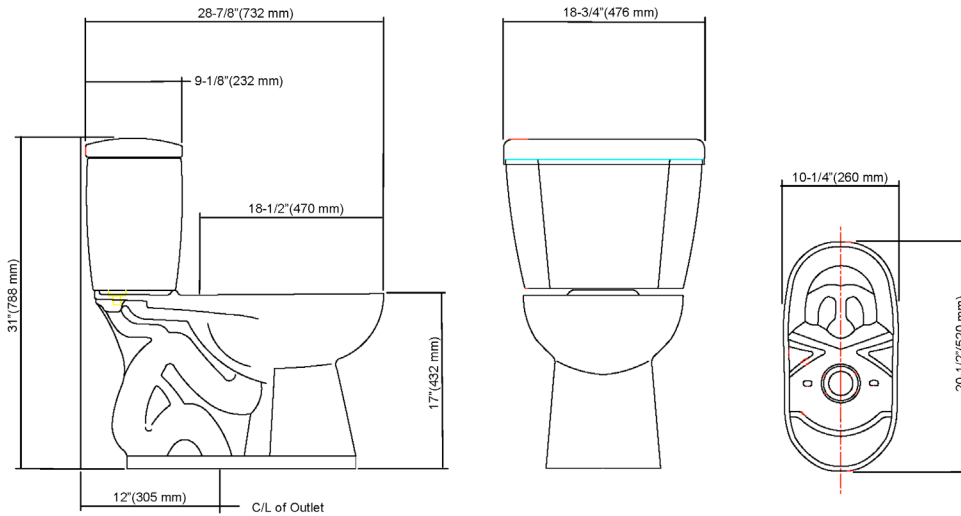
- Ultra high-efficiency 0.8 gallons (3 Liters) of water per flush
- Round, 16" (406 mm) high bowl
- Floor mounted, floor outlet
- Fully glazed trapway, 2" (51 mm)
- MaP Score: 600g
- Large water area, 8" x 6" (203 mm x 152 mm)
- Large foot print, 20.5" x 10.25" (520 mm x 260 mm) Foot
- Polished chrome top-mount flush actuator

CERTIFICATION(S)

Toilet meets or exceeds the following: ASME A112.19.2 / CSA B45.1, WaterSense Certified

STEALTH FLUSH TECHNOLOGY





ASSEMBLED DIMENSIONS

28.875" x 18.75" x 31" (732 mm x 476 mm x 788 mm)

ROUGH-IN

(12") 305 mm

PACKAGING

Close-Coupled, Two-Piece Toilet (Bowl Model: N7717; Tank Model: N7714)

MATERIALS

Vitreous China – White Finish

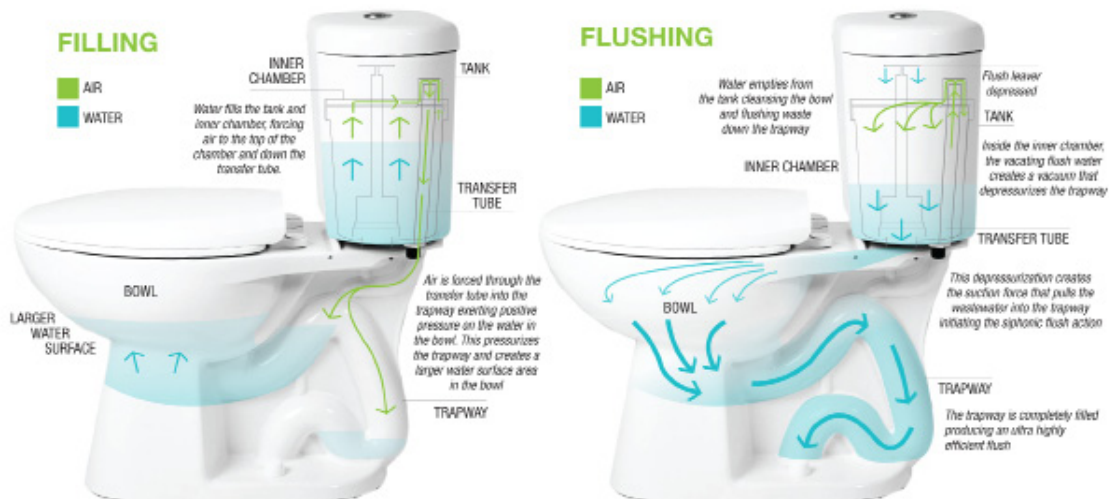
PRODUCT SPECIFICATIONS

- Ultra high-efficiency 0.8 gallons (3 Litres) of water per flush
- Elongated, 17" (432 mm) high bowl
- Floor mounted, floor outlet
- Fully glazed trapway, 2" (51 mm)
- MaP Score: 600g
- Large water area, 8" x6" (203 mm x 152 mm)
- Large foot print, 20.5" x 10.25" (520 mm x 260 mm)
- Polished chrome top-mount flush actuator

CERTIFICATION(S)

Toilet meets or exceeds the following: ASME A112.19.2 / CSA B45.1, IAPMO R&T, WaterSense Certified

STEALTH FLUSH TECHNOLOGY



REV:07.2010