

TOTO®

MS604114CEF(R)(G)

UltraMax® II One-Piece Toilet, 1.28GPF

FEATURES

- Double Cyclone® flushing system, low consumption (1.28GPF/4.8LPF)
- SanaGloss® ceramic glaze - SanaGloss glaze prevents debris and mold from sticking to ceramic surfaces, leading to fewer chemicals and less water in cleaning
- Universal Height
- Decorative one-piece design with high-profile tank
- Elongated front bowl with SoftClose® seat (SS114)
- 12" rough-in
- Chrome trip lever

MODELS

- MS604114CEFG
With SanaGloss ceramic glaze, SS114 SoftClose seat included (#01, #03, #11, #12)
- MS604114CEFRG
Same as above, with right-hand trip lever (#01)
- MS604114CEF
Less SanaGloss, SS114 SoftClose seat included (#51)

COLORS/FINISHES

- #01 Cotton
- #03 Bone
- #11 Colonial White
- #12 Sedona Beige
- #51 Ebony (not available in SanaGloss)

PRODUCT SPECIFICATION

The one-piece low consumption double cyclone flushing system toilet shall be 1.28GPF/4.8LPF. Toilet shall have SanaGloss ceramic glaze (except #51 Ebony) and be at Universal Height. Toilet shall have high-profile tank, elongated front bowl with SoftClose seat and Chrome trip lever. Toilet shall be TOTO Model MS604114CEF_____.



SanaGloss

CYCLONE®
FLUSHING SYSTEM BY TOTO

CODES/STANDARDS

- Meets and exceeds ASME A112.19.2/CSA B45.1
- Certifications: IAPMO(cUPC), EPA Watersense, State of Massachusetts, City of Los Angeles, and others
- Code compliance: UPC, IPC, NSPC, NPC Canada, and others
- Legislative Compliance: California AB715, California Green Building Code, City of Los Angeles Water Efficiency Ordinance
- ADA compliant (when installed with trip lever located on the approach side)



MS604114CEF(R)(G)

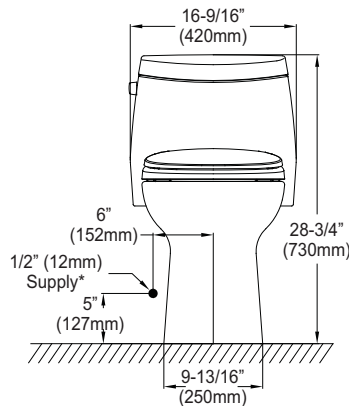
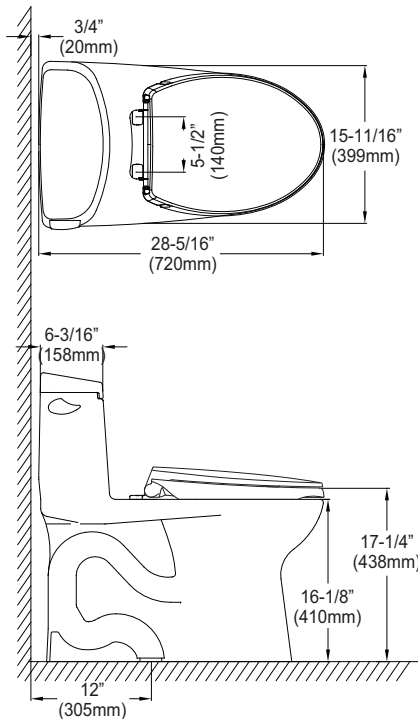
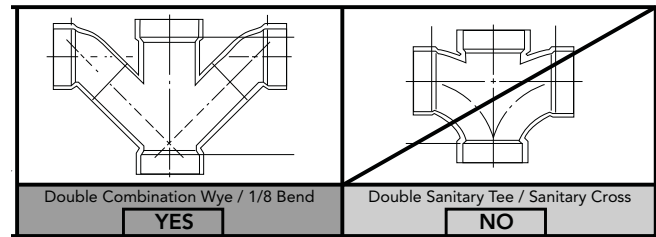
UltraMax® II One-Piece Toilet, 1.28GPF

SPECIFICATIONS

- Water Use 1.28 GPF/4.8LPF
- Flush System Double Cyclone
- Min. Water Pressure 8 psi (static)
- Water Surface 7-1/8" x 9-1/8"
- Trap Diameter 2-1/8"
- Rough-in 12"
- Trap Seal 2-1/8"
- Warranty One Year Limited Warranty
- Material Vitreous china
- Shipping Weight 99 lbs.
- Shipping Dimensions 32" L x 20" W x 17-3/4" H¹ x 28-3/4" H²

INSTALLATION NOTES

Back-to-Back Toilet Installations:
 TOTO recommends the use of a nationally listed, double sanitary tee-wye only, in vertical waste stacks, in accordance with the stipulations noted in the majority of nationally recognized plumbing codes.



* Suggested Dimensions

TOTO

These dimensions and specifications are subject to change without notice