

TOTO®

CST744EF(R).10

Eco Drake® Close Coupled Toilet, 1.28GPF, 10" Rough-In

FEATURES

- E-Max® flushing system, low consumption (1.28GPF/4.8LPF)
- Universal Height
- Two-piece design with high-profile tank
- Elongated front bowl and tank set, less seat
- ADA compliant
- Chrome trip lever
- 10" Rough-in, less supply

MODELS

- CST744EF.10#01
Elongated bowl, 10" rough-in, less seat
- CST744EFR.10#01
Same as above with right hand trip lever

COMPONENTS

- C744EF.10 - Elongated Front Bowl, 10" rough-in
- ST743E - Tank and Cover only - Left-hand trip lever
- ST743ER - Tank and Cover only - Right-hand trip lever
- SS114 SoftClose® seat (sold separately)
- SC134 commercial seat (sold separately)
- SC534 commercial seat (sold separately)

COLORS/FINISHES

- Standard
#01 Cotton

PRODUCT SPECIFICATION

The two-piece low consumption E-Max flushing system toilet shall be 1.28GPF/4.8LPF. Toilet shall be at universal height and be ADA compliant. Toilet shall have high-profile tank, elongated front bowl and Chrome trip lever. Toilet shall be TOTO Model CST744EF____#01.



E-MAX™
FLUSHING SYSTEM BY TOTO

CODES/STANDARDS

- Meets and exceeds ASME A112.19.2/CSA B45.1
- Certifications: IAPMO(cUPC), EPA Watersense, State of Massachusetts, City of Los Angeles, and others
- Code compliance: UPC, IPC, NSPC, NPC Canada, and others
- Legislative Compliance: California AB715, California Green Building Code, City of Los Angeles Water Efficiency Ordinance
- ADA compliant (when installed with trip lever located on the approach side)



CST744EF(R).10

Eco Drake® Close Coupled Toilet, 1.28GPF

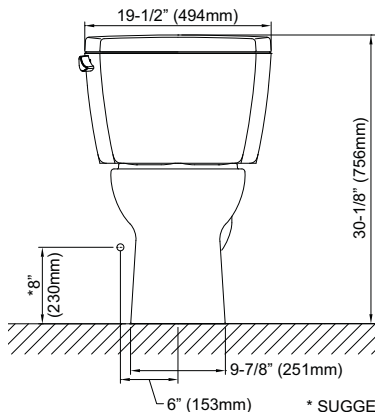
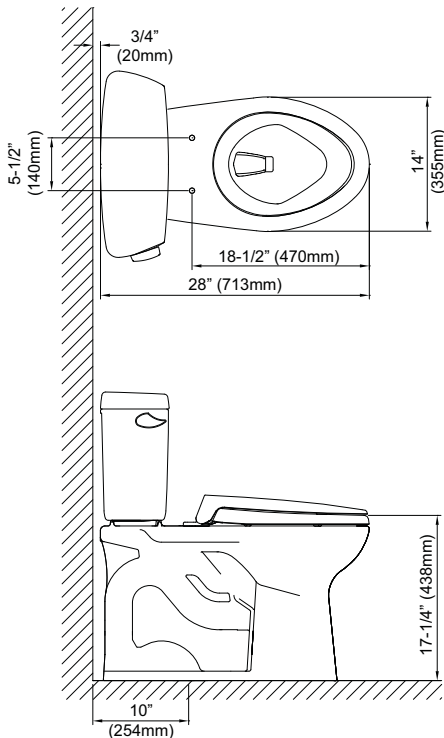
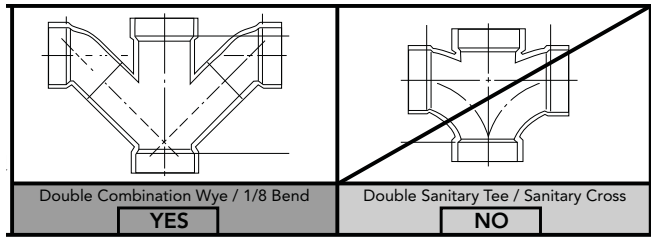
SPECIFICATIONS

- Water Use 1.28 GPF/4.8LPF
- Flush System E-Max
- Min. Water Pressure 8 psi (static)
- Water Surface 7-7/8" x 10-5/16"
- Trap Diameter 2-1/8"
- Rough-in 10"
- Trap Seal 2-3/8"
- Warranty One Year Limited Warranty
- Material Vitreous china
- Shipping Weight C744EF.10 48 lbs.
ST743E(R) 32 lbs.
- Shipping Dimensions C744EF.10
29" L X 15" W1 X
10-1/2" W2 X 17-1/8" H

ST743E(R)
18" L X 9" W X 16" H

INSTALLATION NOTES

Back-to-Back Toilet Installations:
TOTO recommends the use of a nationally listed, double sanitary tee-wye only, in vertical waste stacks, in accordance with the stipulations noted in the majority of nationally recognized plumbing codes.



TOTO

These dimensions and specifications are subject to change without notice