

Eco Drake® Close Coupled Toilet, ADA, 1.28GPF

FEATURES

- E-Max® flushing system, low consumption (1.28GPF/4.8LPF)
- Universal Height
- Two-piece design with high-profile tank
- Elongated front bowl and tank set, less seat
- Chrome trip lever
- 12" Rough-in, less supply
- ADA compliant

MODELS

- CST744EL
Elongated bowl, 12" rough-in, less seat
- CST744ELR*
Same as CST744EL with right hand trip lever (special order)
- CST744ELRB*
Same as CST744EL with right hand trip lever and bolt-down tank lid (special order) (#01 Cotton only)

COMPONENTS

- C744EL - Elongated Front Bowl
- ST743E - Tank and Cover only - Left-hand trip lever
- ST743ER - Tank and Cover only - Right-hand trip lever
- ST743ERB - Tank and Cover only - Right-hand trip lever and bolt-down tank lid (#01 Cotton only)
- SS114 SoftClose® seat (sold separately)
- SS204 SoftClose® seat (sold separately)
- SC134 commercial seat (sold separately)
- SC534 commercial seat (sold separately)

COLORS/FINISHES

- #01 Cotton
- #03 Bone
- #11 Colonial White
- #12 Sedona Beige
- #51 Ebony

PRODUCT SPECIFICATION

The two-piece E-Max flushing system toilet shall be 1.28GPF/4.8LPF. Toilet shall be universal height and ADA compliant. Toilet shall have high-profile tank, elongated front bowl and chrome trip lever. Toilet shall be TOTO Model CST744EL_____.



CODES/STANDARDS

- Meets and exceeds ASME A112.19.2/CSA B45.1
- Certifications: IAPMO(cUPC), EPA Watersense, State of Massachusetts, City of Los Angeles, and others
- Code compliance: UPC, IPC, NSPC, NPC Canada, and others
- Legislative Compliance: California AB715, California Green Building Code, City of Los Angeles Water Efficiency Ordinance
- ADA compliant (when installed with trip lever located on the approach side)



CST744EL

Eco Drake® Close Coupled Toilet, ADA, 1.6GPF/6.0 GPF

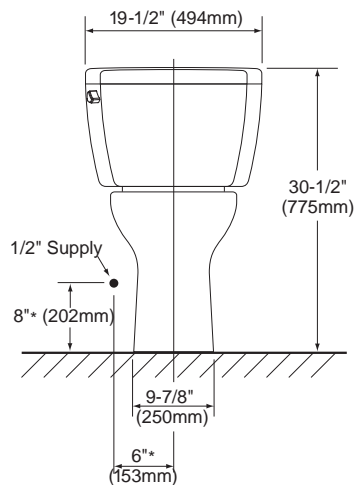
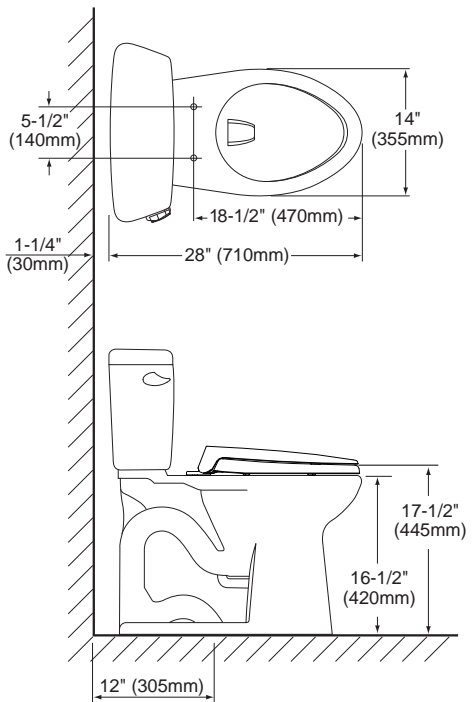
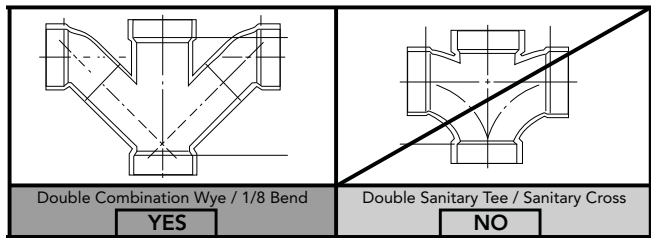
SPECIFICATIONS

- Water Use 1.28 GPF/4.8LPF
- Flush System E-Max
- Min. Water Pressure 8 psi (static)
- Water Surface 10-3/8" x 8-1/4"
- Trap Diameter 2-1/8"
- Rough-in 12"
- Trap Seal 2-3/8"
- Warranty One Year Limited Warranty
- Material Vitreous china
- Shipping Weight C744EL - 56.5lbs
ST743E(R)(B) - 35lbs
- Shipping Dimensions C744EL
29-1/2" L x 16" W1
x 10-1/4" W2 x 18-1/4" H

ST743E(R)(B)
20-1/8" L x 8-1/4" W
x 15-1/2" H

INSTALLATION NOTES

Back-to-Back Toilet Installations:
TOTO recommends the use of a nationally listed, double sanitary tee-wye only, in vertical waste stacks, in accordance with the stipulations noted in the majority of nationally recognized plumbing codes.



TOTO

These dimensions and specifications are subject to change without notice