

TOTO®

CST744E(G)(R)(B)

Eco Drake® Close Coupled Toilet, 1.28GPF

FEATURES

- E-Max® flushing system
- Optional SanaGloss® ceramic glaze - SanaGloss glaze prevents debris, and mold from sticking to ceramic surfaces, leading to fewer chemicals.
- Close coupled commercial grade, high performance toilet
- Elongated front bowl and tank set, less seat
- Chrome trip lever
- 12" Rough-in, less supply

MODELS

- CST744EG
with SanaGloss (#01 only)
- CST744E
Same as above less SanaGloss (, #03, #11, #12 #51)
- CST744ERG
with SanaGloss (#01, #03, #11, #12) and right hand trip lever
- CST744ER
Same as above less SanaGloss (#01 only) and right hand trip lever
- CST744ERB*
Same as CST744ER with right hand trip lever and bolt-down tank lid (special order) (#01 Cotton only)

COMPONENTS

- C744EG - Elongated Front Bowl with SanaGloss
- C744E - Elongated Front Bowl less SanaGloss
- ST743E - Tank and Cover only - Left-hand trip lever
- ST743ER - Tank and Cover only - Right-hand trip lever
- ST743ERB - Tank and Cover only - Right-hand trip lever and bolt-down lid (#01 Cotton only)
- SS114 SoftClose® seat (sold separately)
- SC134 Commercial seat (sold separately)
- SC534 Commercial seat (sold separately)

COLORS/FINISHES

- #01 Cotton
- #03 Bone
- #11 Colonial White
- #12 Sedona Beige
- #51 Ebony

PRODUCT SPECIFICATION

The two-piece E-Max flushing system toilet shall be 1.28GPF/4.8LPF. Toilet shall have high-profile tank, elongated front bowl and chrome trip lever. Toilet shall be TOTO Model CST744E_____.



SanaGloss

E-MAX™
FLUSHING SYSTEM BY TOTO®

CODES/STANDARDS

- Meets and exceeds ASME A112.19.2/CSA B45.1
- Certifications: IAPMO(cUPC), EPA Watersense, State of Massachusetts, City of Los Angeles, and others
- Code compliance: UPC, IPC, NSPC, NPC Canada, and others
- Legislative compliance: California AB715, California Green Building Code, City of Los Angeles Water Efficiency Ordinance



CST744E(G)(R)(B)

Eco Drake® Close Coupled Toilet, 1.28GPF

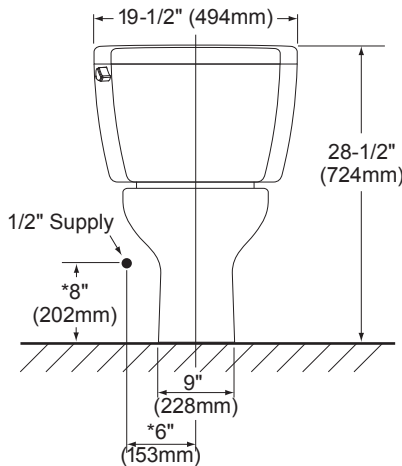
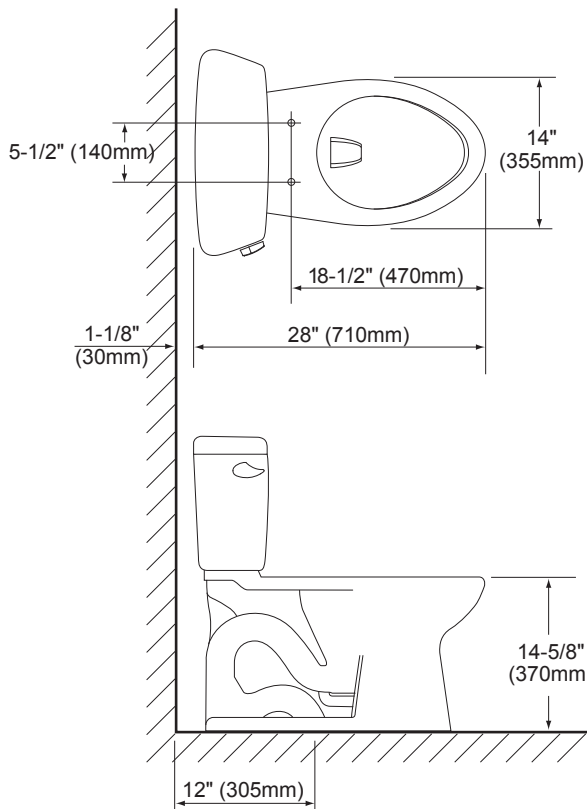
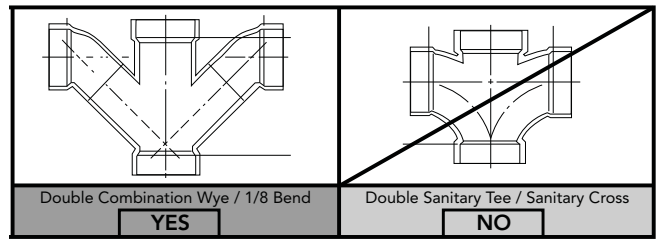
SPECIFICATIONS

- Water Use 1.28 GPF/4.8LPF
- Flush System E-Max®
- Min. Water Pressure 8 psi (static)
- Water Surface 10-1/4" x 8-1/2"
- Trap Diameter 2-1/8"
- Rough-in 12"
- Trap Seal 2-3/8"
- Warranty One Year Limited Warranty
- Material Vitreous china
- Shipping Weight C744E(G) - 52lbs
ST743E(R)(B) - 35lbs
- Shipping Dimensions C744E(G)
29-1/2" L x 16" W1
x 10-1/4" W2 x 18-1/4" H

ST743E(R)(B)
20-1/8" L x 8-1/4" W
x 15-1/2" H

INSTALLATION NOTES

Back-to-Back Toilet Installations:
TOTO recommends the use of a nationally listed, double sanitary tee-wye only, in vertical waste stacks, in accordance with the stipulations noted in the majority of nationally recognized plumbing codes.



TOTO

These dimensions and specifications are subject to change without notice