

Rowan® Close Coupled Toilet, 1.6GPF

FEATURES

- Gravity flushing system, low consumption (1.6GPF/6.0LPF)
- Round bowl
- Universal Height
- Close coupled, round front bowl and tank set, less toilet seat
- Chrome trip lever
- 12" Rough-in
- ADA compliant for residential or hospitality use

MODELS

- CST405F

COMPONENTS

- C405F - Round Front Bowl
- ST406 - Tank and Cover only
- SS113 SoftClose® seat (sold separately)

COLORS/FINISHES

- Standard
 - #01 Cotton
 - #12 Sedona Beige

PRODUCT SPECIFICATION

The two-piece, universal height, low consumption Gravity flushing system toilet shall be 1.6GPF. Toilet shall have high-profile tank, round front bowl and chrome trip lever. Toilet shall be TOTO Model CST405F ____.



CODES/STANDARDS

- Meets or exceeds ASME A112.19.2/CSA B45.1,
- Certifications: IAPMO(cUPC)
- Code compliance: UPC, IPC, NSPC, NPC Canada, and others
- ADA compliant (when installed with trip lever located on the approach side)



CST405F

Rowan® Close Coupled Toilet, 1.6GPF

SPECIFICATIONS

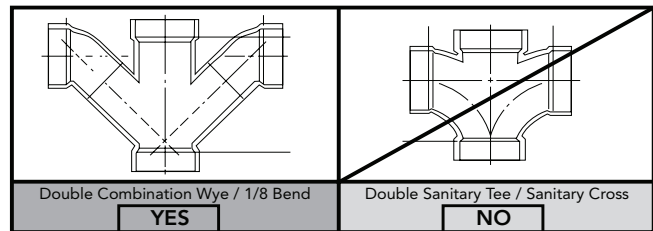
- Water Use 1.6 GPF (6.0 LPF)
- Flush System Gravity
- Min. Water Pressure 8 psi (flowing)
- Water Surface 7-3/8" x 9-3/8"
- Trap Diameter 1-7/8"
- Rough-in 12"
- Trap Seal 2"
- Warranty One Year Limited Warranty
- Material Vitreous china
- Shipping Weight C405F - 47lbs
ST406 - 35lbs
- Shipping Dimensions C405F - 26-1/2" x 16" x 17"
ST406 - 20-1/2" X 8" X 18-3/4"

ST406 - 20-1/2" X 8" X 18-3/4"

INSTALLATION NOTES

Back-to-Back Toilet Installations:

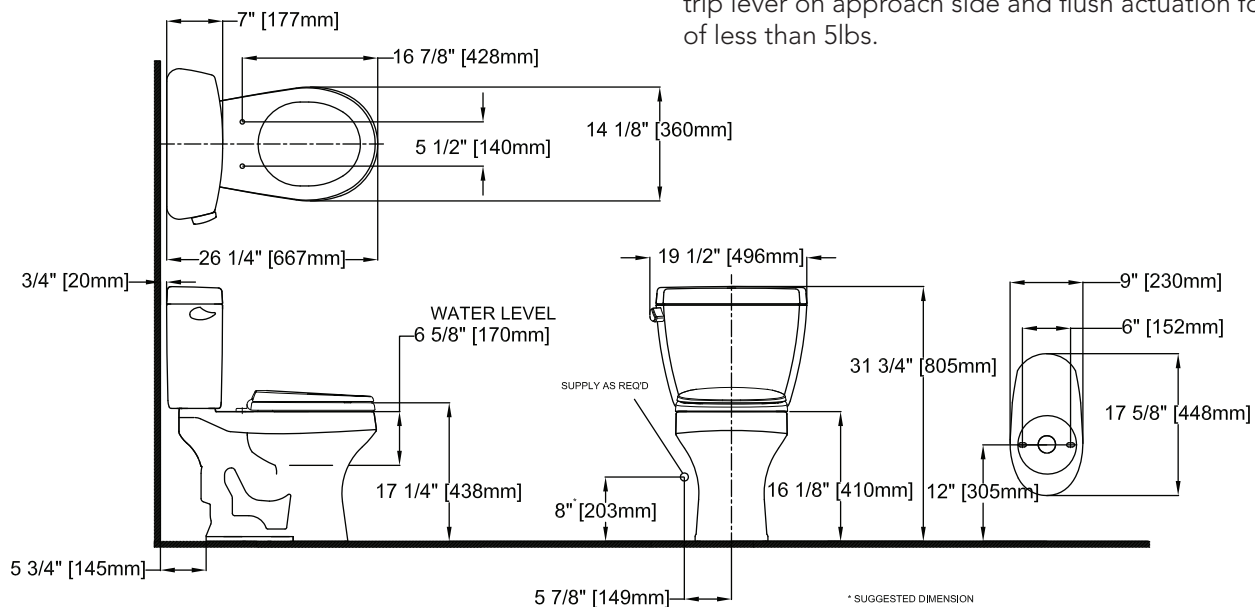
TOTO recommends the use of a nationally listed, double sanitary tee-wye only, in vertical waste stacks, in accordance with the stipulations noted in the majority of nationally recognized plumbing codes.



To maintain adequate wall gap between the back of the tank and wall, mount the floor flange at a nominal 12" rough-in distance.

Will comply with ADA when installed per Section 604 Water Closets and Toilet Compartments of the ADA 2010 Accessible Design Standard with seat height between 17" to 19", trip lever on approach side and flush actuation force of less than 5lbs.

Will comply with CSA B651 when installed per Clause 6.2.6 Toilets of the CSA 2012 Accessible Design Standard with seat height between 400mm to 460mm, trip lever on approach side and flush actuation force of less than 5lbs.



TOTO

These dimensions and specifications are subject to change without notice