

Maris® Wall-Hung Dual-Flush Toilet, 1.6GPF & 0.9GPF

FEATURES

- Dual-Max® flushing system, high efficiency low consumption (1.6GPF/6.0LPF & 0.9GPF/3.4LPF)
- SanaGloss® ceramic glaze - prevents debris, mold from sticking to ceramic surfaces, leading to fewer chemicals and less water in cleaning.
- Universal Height
- Wall-hung toilet can be paired with TOTO in-wall tank system as well as others

MODELS

- CT486FG#01
- SS114 SoftClose® seat (sold separately)
- SC134 commercial seat (sold separately)
- SC534 commercial seat (sold separately)
- WT151M In-wall tank system (pex pipe) (sold separately)
- WT152M In-wall tank system (copper pipe) (sold separately)

COLORS/FINISHES

- Standard
#01 Cotton

PRODUCT SPECIFICATION

This universal height, high efficiency Dual-Max flushing system toilet shall be 1.6GPF & 0.9GPF. Toilet shall have optional SanaGloss ceramic glaze. Toilet shall be mounted to in-wall tank system, elongated front bowl and wall-mounted push-button type trip lever. Toilet shall be TOTO Model CT486FG#01.



SanaGloss

CODES/STANDARDS

- Meets or exceeds ASME A112.19.2/CSA B45.1, ASME A112.19.14
- Certifications: IAPMO (cUPC), EPA Watersense, State of Massachusetts, City of Los Angeles, and others
- Code compliance: UPC, IPC, NSPC, NPC Canada, and others
- Legislative compliance: California AB715, California Green Building Code, City of Los Angeles Water Efficiency Ordinance



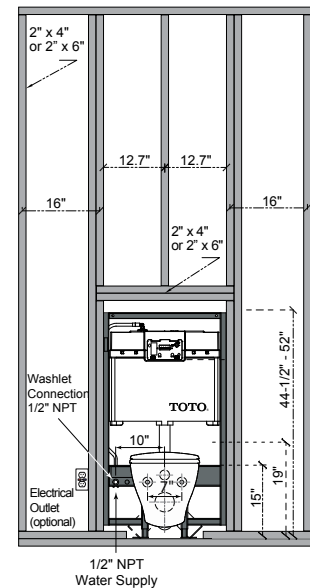
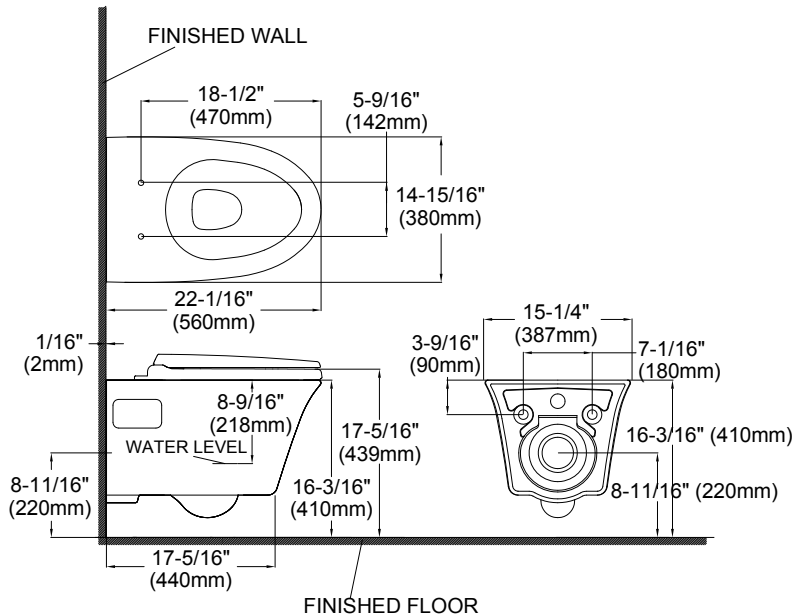
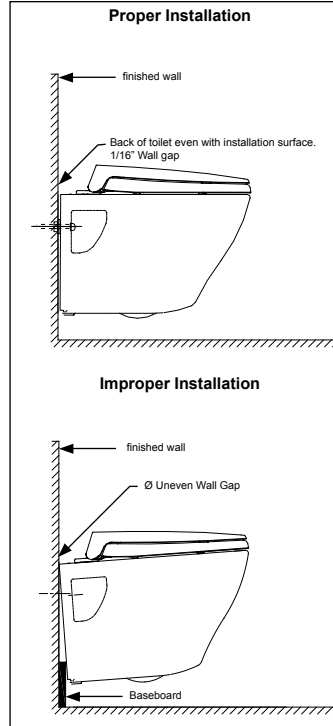
CT486FG

Maris® Wall-Hung Dual-Flush Toilet, 1.6GPF & 0.9 GPF

SPECIFICATIONS

- Water Use 1.6 GPF & 0.9GPF (6.0 LPF & 3.4LPF)
- Flush System Dual-flush
- Min. Water Pressure 8 psi (static)
- Water Surface 4-1/8" X 5-1/8"
- Trap Diameter 2-1/8"
- Installation Height 15" to 19"
- Trap Seal 2-1/8"
- Warranty One Year Limited Warranty
- Material Vitreous china
- Shipping Weight CT486FG - 65lbs
- Shipping Dimensions CT486FG
23-5/8" L X 15-3/4"W X 17.5" H

INSTALLATION NOTES



Duofit™ In-wall Tank System is sold separately

TOTO®

These dimensions and specifications are subject to change without notice