

# NEOREST®

# MS992CUMFG

## Neorest 700H Elongated Toilet/Bidet

### FEATURES

- Cyclone® siphon jet flushing system, ultra-high efficiency (1.0GPF/3.8LPF and 0.8GPF/3.0LPF).
- SanaGloss® ceramic glaze minimizes debris, mold and bacteria from sticking to porous, ceramic surfaces
- Dual flush function
- Universal height
- Auto lid open/close, auto flush
- eWater+
- Multifunctional remote control
- Adjustable heated seat
- Adjustable spray position
- Washlet with three wash modes (front, rear, soft)
- Oscillating and pulsing comfort washing
- Energy saver timer
- Built-in air purifying system
- Back-up manual flush
- ADA Compliant

### COMPONENTS

- SN992M - Top Unit
- CT992CUMFG - Elongated Bowl

Note: SN992M Only compatible with CT992CUMFG

### COLORS/FINISHES

- #01 Cotton

### PRODUCT SPECIFICATION

The Neorest 700H with the Cyclone flushing system toilet shall be 1.0GPF/3.8LPF and 0.8 GPF/3.0 LPF. Toilet shall have SanaGloss ceramic glaze and be at Universal Height. Toilet shall be of skirted design, elongated front bowl with auto open and close seat. Toilet shall be **TOTO Model MS992CUMFG**.



eWater+™  
**SanaGloss**  
**CYCLONE®**  
FLUSHING SYSTEM BY TOTO

### CODES/STANDARDS

- Meets and exceeds ASME A112.4.2, ASME A112.19.2/CSA B45.1, ASME A112.18.1/CSA B125.1, UL 1431, CSA C22.2 # 68
- Certifications: IAPMO(cUPC), State of Massachusetts, City of Los Angeles and others
- Code Compliance: UPC, IPC, NSPC, and others
- ADA Compliant



# MS992CUMFG

## Neorest 700H Elongated Toilet/Bidet

### SPECIFICATIONS

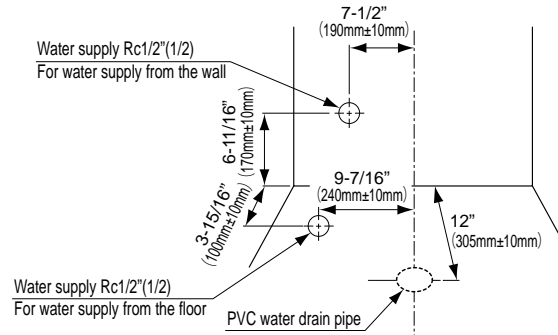
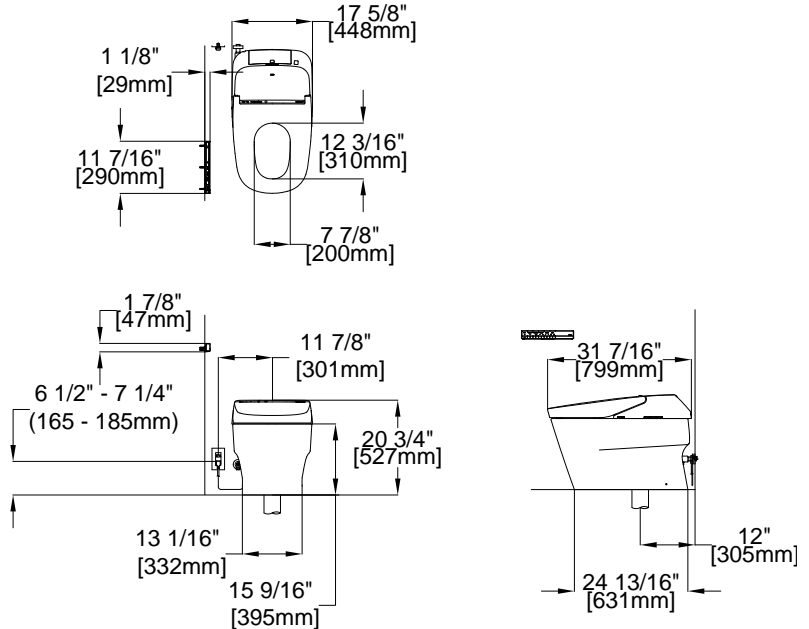
Water Use: 1.0 GPF/3.8 LPF & 0.8 GPF/3.0 LPF  
 Flush System: Cyclone Siphon Jet  
 Water Pressure: Min 7 PSI (0.05MPa) Flowing  
 Max 105 PSI (0.75 MPa) Static  
 Min Flow Rate: 2.64 gal/min (10 L/min)  
 Water Surface: 8-3/4" x 7-1/4"  
 Trap Diameter: 2-1/8" (54 mm)  
 Rough In: 12" rough in  
 Warning: If there is a base board in the restroom, the center of the floor drain should be a minimum of 12" from the base board.

Trap Seal: 2-1/16" (53 mm)  
 Warranty: Three Year Limited (Residential)  
 One Year Limited (Commercial)

Material: Bowl: Vitreous china  
 Seat and cover: Plastic

Shipping Weight: Top Unit - SN992M 17.6lbs  
 Bowl Unit - CT992CUMFG 106lbs

Shipping Dimensions: SN992M -  
 20-5/8" x 34-13/16" x 8-13/16"  
 CT992CUMFG -  
 18-13/16" x 33-1/4" x 24-7/8"



Power Rating: 120V AC, 60 Hz.1300W  
 Power Cord: Maximum length: 4 ft (1.2 m)  
 Water Feature: Adjustable Water Flow Rate  
 Rear washing: from 9.1 to 14.5 oz/min.  
 Soft washing: from 10.8 to 14.5 oz/min.  
 Front washing: from 9.8 to 14.5 oz/min.  
 Wide front washing: from 11.8 to 14.5 oz/min.  
 Temperature of Washing Spray  
 Minimum: 86° F/30° C  
 Maximum: 104° F/40° C  
 Safety Features: Temperature fuse, and float switch  
 Drying Feature: Air Temperature:  
 High: About 130°F/55°C  
 Low: About 95°F/35°C  
 Capacity of Air: 10.2 ft<sup>3</sup>/min  
 Safety Feature: Temperature Fuse  
 Seat Warming Feature: Surface Temperature:

Minimum: 82° F/28° C  
 Maximum: 97° F/36° C  
 Seat Heater Capacity: 60W  
 Safety Feature: Thermal fuse  
 Air Purifying Feature: Method: O<sub>2</sub> Deodorizer  
 Air Volume: 5.7 ft<sup>3</sup>/min  
 Ambient Temperature Range: 33°F/1°C to 104°F/40°C  
 Product Size: 17-5/18" x 31-7/16" x 20-3/4"  
 Weight: Net: 123.6 lbs.

**TOTO**

These dimensions and specifications are subject to change without notice

Ph: (888) 295-8134 | Fax: (800) 699-4889 | www.totousa.com

Printed in U.S.A. | © TOTO USA 12/12 | Printed on recycled paper ♻️

#SS-00995 v.01