

# TOTO®

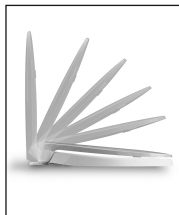
## CST784SF Clayton® Close Coupled Toilet, 1.6 GPF



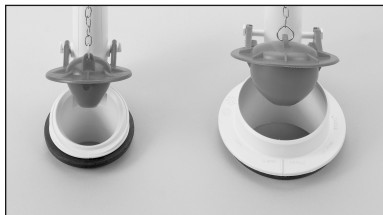
CST784SF - Clayton® Closed Coupled Toilet with SS154 - Traditional SoftClose Seat



**G-Max Technology:**  
Quiet, powerful,  
commercial  
grade flushing  
performance.



**Choose a SoftClose®**  
toilet seat, or  
upgrade to  
a Washlet.



**Fast Flush:** New, wide 3" flush valve is 125%  
larger than conventional 2" flush valves.

- Traditional design, close coupled toilet
- Universal Height 16-1/8" rim height
- Wide 2-1/8" computer designed trapway
- G-Max Technology
- Powerful, quiet flush every time
- Large water surface

High profile ADA compliant close coupled toilet with 12" rough-in. Low consumption (6Lpf/1.6Gpf) siphon jet flushing action.

Tank cover, fittings, color matched trip lever, less seat.

### ■ CST784SF

Elongated, less seat. 12" rough-in.

### □ C784SF

Elongated front bowl only, 12" rough-in.

### □ ST784S

Clayton® tank and cover only. Complete with tank trim and coupling components.

### □ SS154

Traditional SoftClose Seat: Traditional styled seat and lid gently close with a touch of the hand. Elongated, closed front seat with lid.

### □ SS114

Elongated closed front toilet seat & cover with SoftClose hinge system. Mounting hardware included.

#### Colors:

Standard #01 Cotton, #11 Colonial White  
#12 Sedona Beige, #03 Bone  
#51 Ebony

#### Trip Lever:

Standard Color Matched  
Optional See price book for  
additional finishes

TOTO USA, Inc. recommends the use of a nationally listed, double sanitary tee-wye only, in vertical waste stacks, in accordance with the stipulations noted in the majority of nationally recognized plumbing codes.

 **ADA Compliant**

For installation condition with  
approach from the left hand side.

# CST784SF

## Clayton® Close Coupled Toilet, 1.6 GPF

### ■ PERFORMANCE

The TOTO G-Max low consumption toilets received high ratings during ANSI/ASME and CSA testing at independent laboratories. Designed with a powerful siphon jet flushing action, the toilet offers a large water surface and a glazed trapway.

### ■ SPECIFICATIONS

Water Use: 1.6 Gpf/6.0 Lpf  
 Flush System: Gravity Feed  
 (G-Max System)  
 Min. Water Pressure: 8 psi  
 Water Surface: 10-5/8" x 8-1/4"  
 Trap Diameter: 2-1/8"  
 Rough In: 12" rough in  
 Trap Seal: 2-3/8"  
 Warranty: One Year Limited Warranty  
 Material: Vitreous china

Shipping Weight: **C784SF-Bowl**  
 62 lbs.  
**ST784S-Tank**  
 36.5 lbs.

Shipping Dimensions: **C784SF-Bowl**  
 30"L x 12-1/4"W<sup>1</sup>  
 x 14-5/8"W<sup>2</sup> x 18-1/8"H

**ST784S-Tank**  
 22-1/8"L x 10"W  
 x 17-3/4"H

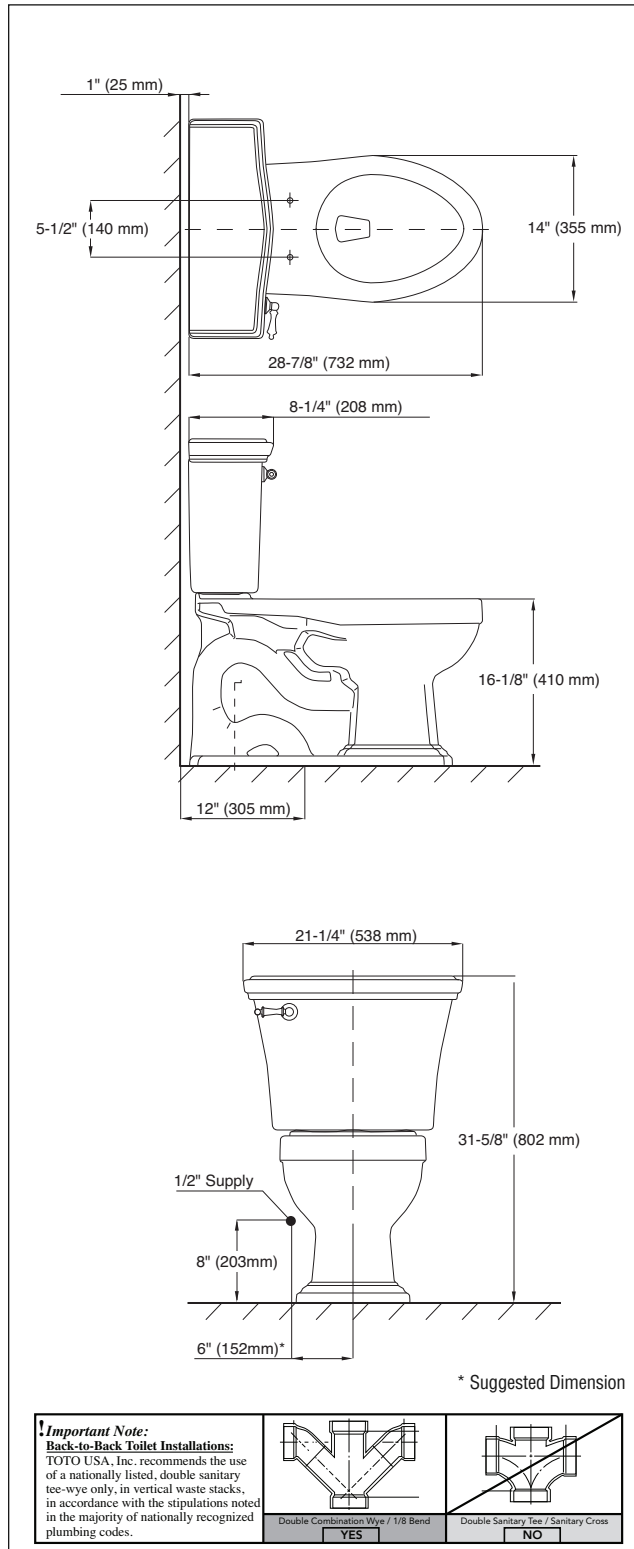
*Fixture dimensions and hydraulic performance meet or exceed ANSI/ASME standard A112.19.2M and CAN/CSA B 45 requirements.*

*Listing / Approvals: IAPMO/UPC, CSA, City of Los Angeles, State of Massachusetts, and others.*



*Meets the Americans with Disabilities Act Guidelines and ANSI A117.1 requirements where installed so top of seat is 17" from the finished floor. For installation condition with approach from the left hand side. Recommended seat for ADA requirements: TOTO model #SC514.*

*These dimensions and specifications are subject to change without notice.*



**CST784SF - Clayton® Close Coupled Toilet**

**TOTO®**

TOTO U.S.A., INC. • 1155 Southern Road, Morrow, GA 30260  
 Tel. (888) 295-8134 • Fax. (800) 699-4889 • www.totousa.com  
 Printed in U.S.A. © TOTO LTD. 12/02 #A10422

Printed on recycled paper

REV 03/09