

TOTO®

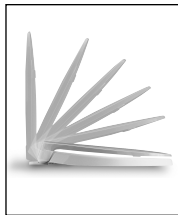
CST794SF Nexus® Close Coupled Toilet, 1.6 GPF



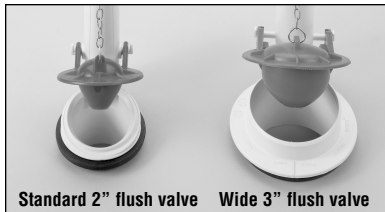
CST794SF - Nexus® Close Coupled Toilet with SS204 - SoftClose® Oval Seat



G-Max® Technology: Quiet, powerful, commercial grade flushing performance.



Choose a SoftClose® toilet seat, or upgrade to a Washlet™.



Standard 2" flush valve Wide 3" flush valve

Fast Flush: New, wide 3" flush valve is 125% larger than conventional 2" flush valves.

- Unique sculpted design, skirted close coupled toilet
- Universal Height 16-1/8" rim height
- Skirted styling with concealed trapway for easy cleaning
- G-Max® Technology
- Powerful, quiet flush every time
- Large water surface
- Designer Suite:
 Matching Nexus® pedestal and vessel lavatories

Decorative, ADA compliant, high profile close coupled toilet. Low consumption (6 Lpf/1.6 Gpf) siphon jet flushing action.

Tank cover, fittings, chrome plated trip lever, less seat.

■ **CST794SF**

Elongated, 12" rough-in, less seat

□ **C794SF**

Elongated bowl only, 12" rough-in.

□ **ST794S**

Nexus® tank and cover only. Complete with tank trim and coupling components.

□ **SS204**

SoftClose® Oval: Seat and lid gently close with a touch of a hand. Elongated, closed front seat with lid.

Colors:

Standard #01 Cotton, #11 Colonial White
 #12 Sedona Beige, #03 Bone
 #51 Ebony

Trip Lever:

Standard #CP Chrome Plated
Optional See price book for additional finishes

TOTO USA, Inc. recommends the use of a nationally listed, double sanitary tee-wye only, in vertical waste stacks, in accordance with the stipulations noted in the majority of nationally recognized plumbing codes.



ADA Compliant

For installation condition with approach from the left hand side.

CST794SF

Nexus® Close Coupled Toilet, 1.6 GPF

■ PERFORMANCE

The TOTO® G-Max® low consumption toilets received high ratings during ANSI/ASME and CSA testing at independent laboratories. Designed with a powerful siphon jet flushing action, the toilet offers a large water surface and a glazed trap-way.

■ SPECIFICATIONS

Water Use: 1.6 Gpf / 6.0 Lpf
 Flush System: Gravity Feed (G-Max System)
 Min. Water Pressure: 8 psi
 Water Surface: 10-1/4" x 8-1/4"
 Trap Diameter: 2-1/16"
 Rough-in: 12" rough-in
 Trapseal: 2-1/4"
 Warranty: One Year Limited Warranty
 Material: Vitreous china

Shipping Weight: **C794SF** 81.5 lbs.
ST794S 33.5 lbs.

Shipping Dimensions: **C794SF** 29-3/4"L x 16-1/2"W
 x 24-3/4"H
ST794S 20-3/8"L x 8-3/8"W
 x 19-5/8"H

Fixture dimensions and hydraulic performance meet or exceed ANSI/ASME standard A112.19.2M and CAN/CSA B 45 requirements.

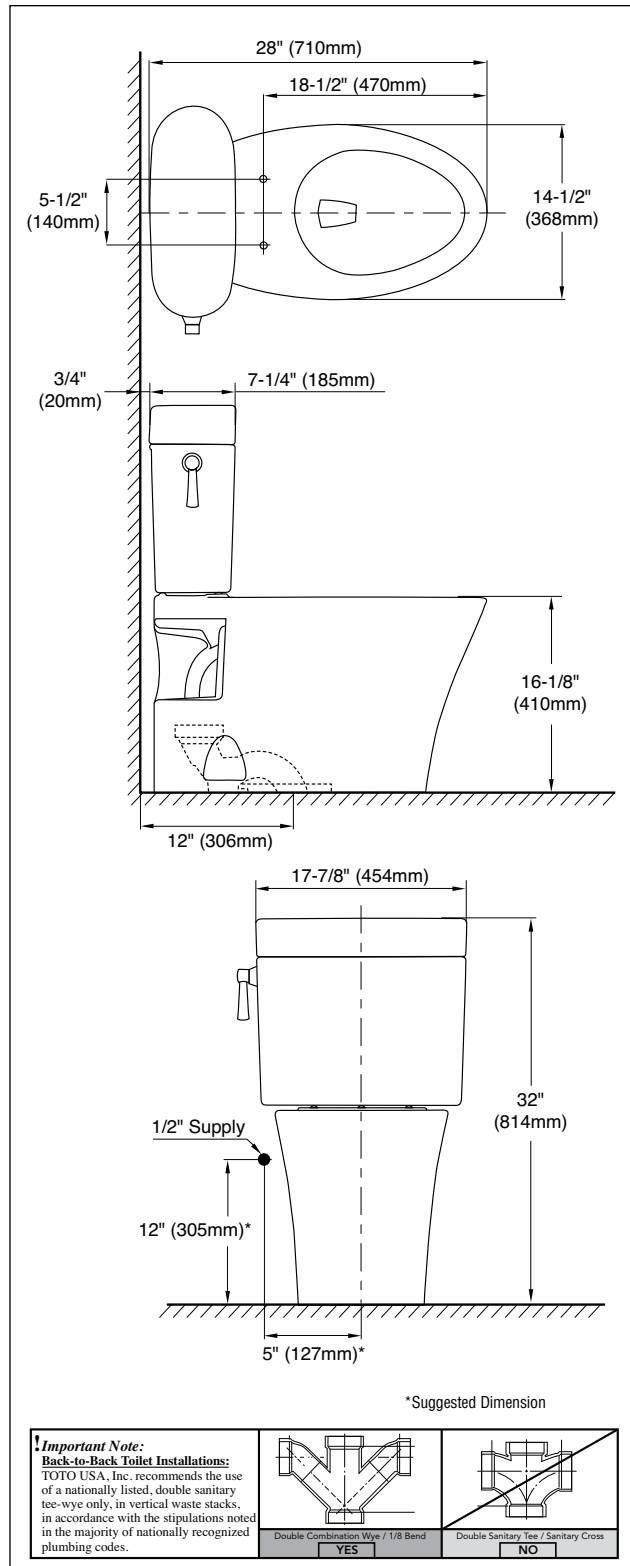
Listing and approval: IAPMO/UPC, CSA, City of Los Angeles, State of MA, and others



Meets the American Disabilities Act Guidelines and ANSI A117.1 requirements where installed so top of seat is 17"-19" from the finished floor. For installation condition with approach from the left hand side.

Recommended seat: SS304

These dimensions and specifications are subject to change without notice.



CST794SF - Nexus® Close Coupled Toilet



TOTO U.S.A., INC. • 1155 Southern Road, Morrow, GA 30260
 Tel. (888) 295-8134 • Fax. (770) 282-8701 • www.totousa.com
 Printed in U.S.A. © TOTO LTD. 03/04 #A10096

Printed on recycled paper

REV 03/09