

FEATURED MODEL

440234 Left side large bowl, 8" & 7" bowl depths

ADDITIONAL MODELS

- 440233 Right side large bowl, 7" & 8" bowl depths
- 440236 Left side large bowl, 10" & 8" bowl depths
- 440235 Right side large bowl, 8" & 10" bowl depths

FEATURES

- 18 gauge, 304 series stainless steel
- 18/10 chrome/nickel content
- Long-lasting, easy-to-clean, satin polished finish
- Rear drain placement

CODE/STANDARDS COMPLIANCE

ASME 112.19.3-00
IAPMO/UPC listed

OPTIONAL ACCESSORIES

Sink Grids: 220993, 220991
Colanders: 221027, 440492, 510889

WARRANTY

Blanco's Platinum Series sinks feature a LIMITED LIFETIME WARRANTY to be free of all manufacturing defects under normal use. See our complete warranty for details.

While Blanco America endeavors to provide accurate information, all dimensions are nominal, cannot be guaranteed, and are subject to change or cancellation. Blanco America assumes no responsibility for use of superseded or voided specifications.

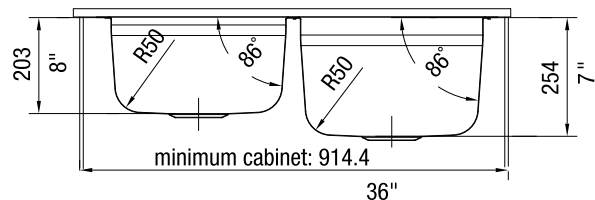
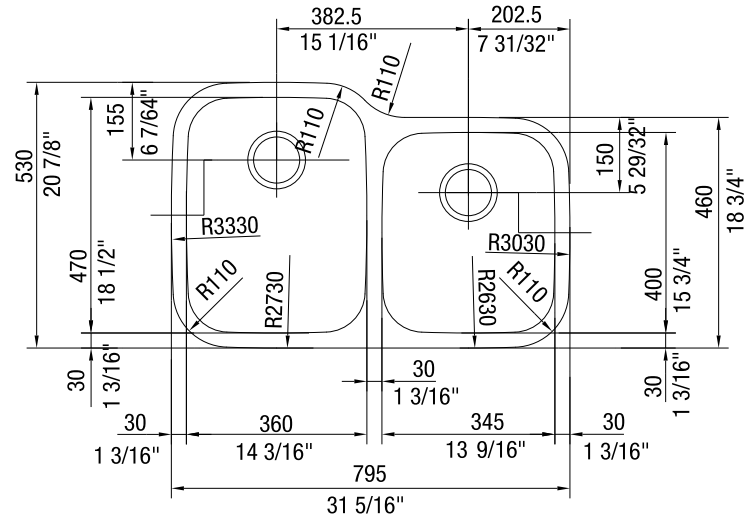


MODEL 440234

NOMINAL DIMENSIONS

| MODEL | OVERALL | CUTOUT SIZE | BOWL DEPTH LEFT | BOWL DEPTH RIGHT | DRAIN DIAMETER |
|--------|------------------|--|-----------------|------------------|----------------|
| 440234 | 31-5/16 x 20-7/8 | Template provided with approximate 1/8" reveal | 8 | 7 | 3-1/2 |

DXF cutout templates available on our web site or this specification CD.



JOB INFORMATION

Job Name: _____
 Contact: _____
 Date Specified: _____
 Specifier: _____
 Contractor: _____