

FEATURED MODEL

440166 REVERSE 10" and 6-3/4" bowl depths

ADDITIONAL MODELS

440168 REVERSE 8" and 6-3/4" bowl depths

440167 10" and 6-3/4" bowl depths

440169 8" and 6-3/4" bowl depths

FEATURES

- German specification 18 gauge, 304 series stainless steel
- Premium 18/10 chrome/nickel content
- Hand Polished Satin finish offer luxurious look
- Rear drain placement provides MAXIMUM flat space
- New design allows for easy installation in standard 25" countertop

CODE/STANDARDS COMPLIANCE

ASME 112.19.3-00

IAPMO/UPC listed

OPTIONAL ACCESSORIES

Sink Grids: 220994 Large, 220995 Small

Mesh Colander: 221026

Steel Colander: 440492

WARRANTY

Blanco America's BLANCO WAVE series sinks feature a LIMITED LIFETIME WARRANTY to be free of all manufacturing defects under normal use. See our complete warranty for details.

While Blanco America endeavors to provide accurate information, all dimensions are nominal, cannot be guaranteed, and are subject to change or cancellation. Blanco America assumes no responsibility for use of superseded or voided specifications.

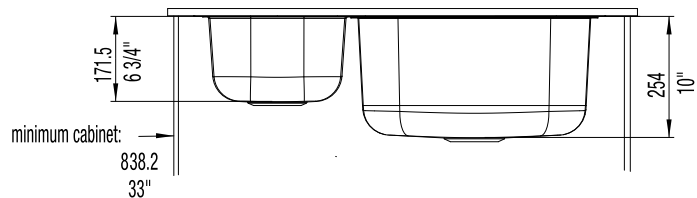
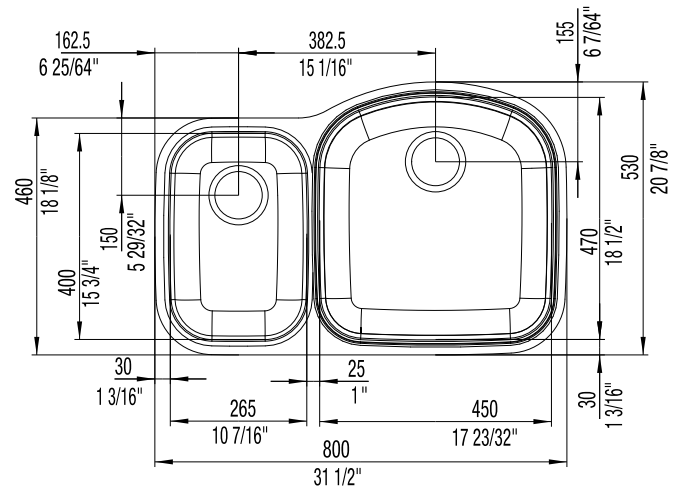


MODEL 440166

NOMINAL DIMENSIONS

MODEL	OVERALL	CUTOUT SIZE	BOWL DEPTH LEFT	BOWL DEPTH RIGHT	DRAIN DIAMETER
440166	31-1/2 x 20-7/8	Template provided with approximate 1/8" reveal	6-3/4	10	3-1/2

DXF cutout templates available on our web site or this specification CD.



JOB INFORMATION

Job Name: _____

Contact: _____

Date Specified: _____

Specifier: _____

Contractor: _____

BLANCO
800.451.5782

www.blancoamerica.com