

FEATURED MODEL

440603 Side Spray, CHROME

ADDITIONAL MODELS

440601 Side Spray, SATIN NICKEL

440602 Side Spray, ANTHRACITE & CHROME MIX

441204 Side Spray, CAFE BROWN & CHROME MIX

441206 Side Spray, BISCOTTI & CHROME MIX

441330 Side Spray, TRUFFLE & CHROME MIX

FEATURES

- Solid brass body and all-metal side spray
- Ceramic disk cartridge
- Extra long supply lines
- 2.2 GPM flow rate
- Installation in a 1-3/8" hole
- Color coded hot and cold supply lines
- 360 degree spout swivel
- 2-1/2" backsplash clearance off center
- 1-7/8" maximum deck thickness

OPTIONAL ACCESSORIES

Deluxe Soap Dispenser: 440006 (Chrome)

Meridian Soap Dispenser: 440059 (Chrome)

Alta Soap Dispenser: 440046 (Chrome)

Milano Soap Dispenser: 440050 (Chrome)

CODE/STANDARDS COMPLIANCE

ASME A112.18.1-2011

NSF 61 certified

NSF 61 ANEX G low lead requirements

CMR 248 - MA

AB1953 Lead Free

WARRANTY

BLANCO'S kitchen and bar faucets feature a LIMITED LIFETIME WARRANTY to be free of all manufacturing defects under normal use. See our complete warranty for details.

While BLANCO endeavors to provide accurate information, all dimensions are nominal, cannot be guaranteed, and are subject to change or cancellation. BLANCO assumes no responsibility for use of superseded or voided specifications.

JOB INFORMATION

Job Name: _____

Contact: _____

Date Specified: _____

Specifier: _____

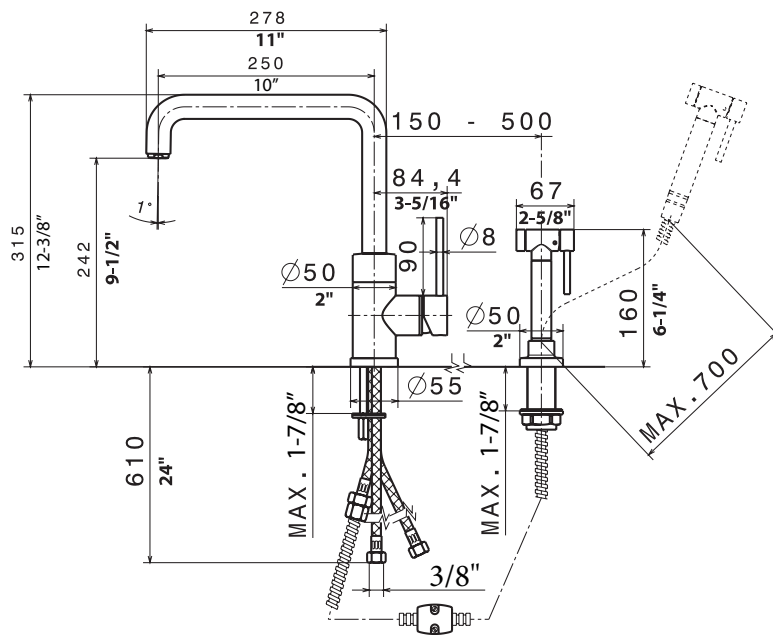
Contractor: _____



Model 440603 shown

NOMINAL DIMENSIONS

REACH	SPOUT HEIGHT	FAUCET HEIGHT
10"	9-1/2"	12-3/8"



See next page for exploded parts drawing and parts list.

BLANCO AMERICA

800.451.5782

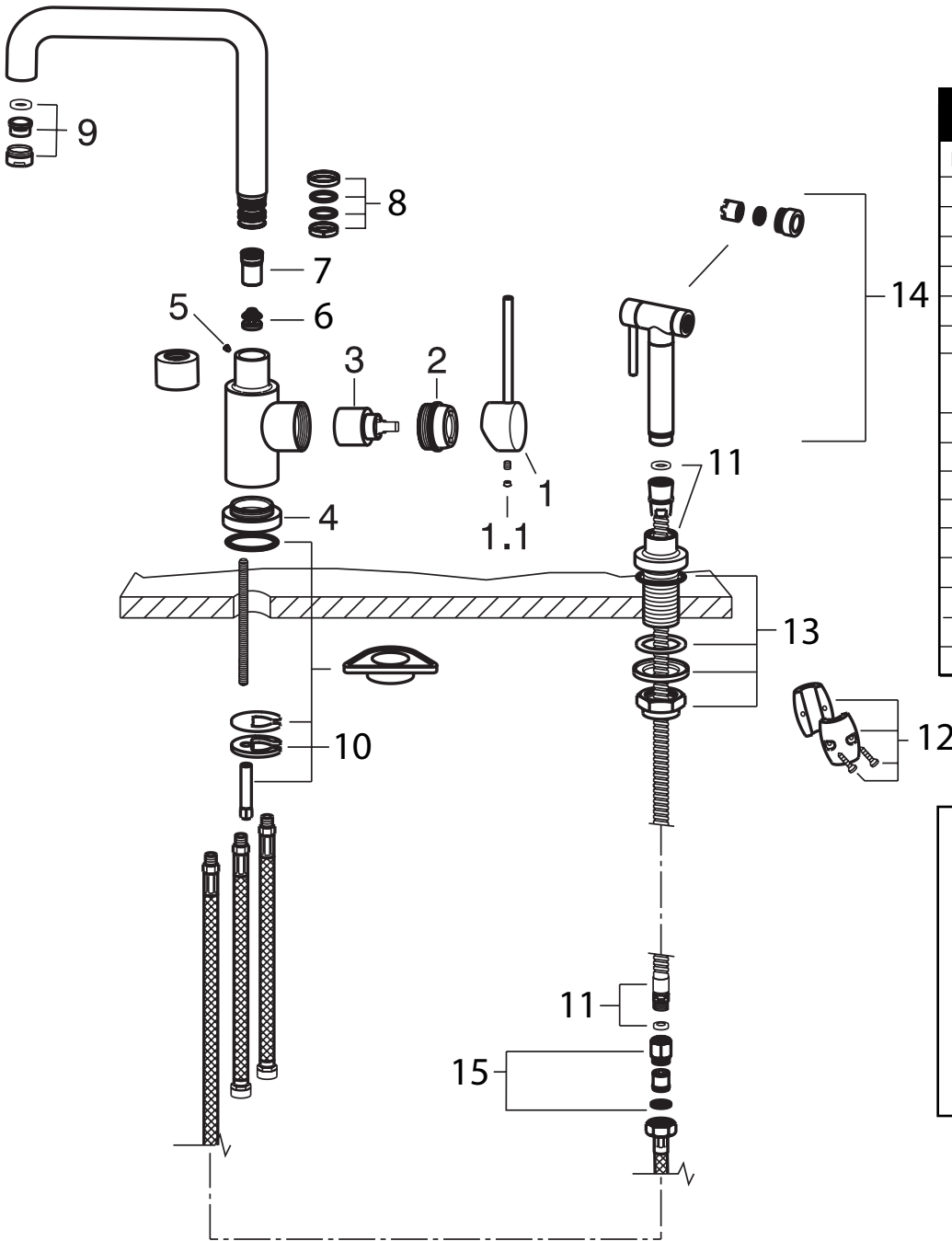
www.blancoamerica.com

© 2013 BLANCO AMERICA

7/13

SPEC-003

Old Model #: 157-096-CR



REPAIR PART GUIDE		
Num.	Description	Part #
1, 1.1	Handle - Chrome	440895
1.1	Handle screw and cap	440889
2	Cartridge Lock Nut	441861
3	Cartridge	440877
4	Base - Chrome	441863
5	Body set screw	441745
6	Diverter	440881
	Tool for Diverter	440873
7	Brass bushing	441898
8	Spout - Ring set	441744
9	Aerator kit	440766
10	Mounting assembly	441899
11	Spray hose	440878
12	Weight	441917
13	Side spray - mounting hardware	441894
14	Side spray - Chrome	440883
15	Check valve assembly	441874

Need to Change a Faucet Cartridge?



Scan this QR code to see our how-to video

For faucet technical support or questions,
 please e-mail us at faucets@blancoamerica.com