

FEATURED MODEL

440409 1-3/4 Bowl, 9-1/2" bowl depths, BISCUIT

ADDITIONAL MODELS

440399 1-3/4 Bowl, 9-1/2" bowl depths, CAFE BROWN

440408 1-3/4 Bowl, 9-1/2" bowl depths, ANTHRACITE

440410 1-3/4 Bowl, 9-1/2" bowl depths, WHITE

440411 1-3/4 Bowl, 9-1/2" bowl depths, METALLIC GRAY

441292 1-3/4 Bowl, 9-1/2" bowl depths, TRUFFLE

441293 1-3/4 Bowl, 9-1/2" bowl depths, BISCOTTI

441471 1-3/4 Bowl, 9-1/2" bowl depths, CINDER

The PRECIS MULTI-LEVEL sink has two functional work levels
- one for the sliding Walnut cutting board, the other
for the stainless steel colander.

FEATURES

- Required outside cabinet: 54"
- 80% solid granite
- Heat resistant up to 536°F
- Unsurpassed cleanability backed by industry leading 7 patents!
- Resistant to scratches, stains and all household acids and alkali solutions
- Template provided with approximate 1/8" reveal
- Undermount clips included
- Drainer Board slopes 1/4" right to left

INCLUDED ACCESSORIES

Walnut Cutting Board

Colander (hangs from lower level)

Stainless Steel Sink Grid (left bowl)

Stainless Steel Sink Grid (right bowl)

15" Drainer Grid

CODE/STANDARDS COMPLIANCE

ANSI Z124.6-97

IAPMO/UPC listed

WARRANTY

BLANCO'S SILGRANIT II Series sinks feature a LIMITED LIFETIME WARRANTY to be free of all manufacturing defects under normal use. See our complete warranty for details.

While BLANCO endeavors to provide accurate information, all dimensions are nominal, cannot be guaranteed, and are subject to change or cancellation. BLANCO assumes no responsibility for use of superseded or voided specifications.

JOB INFORMATION

Job Name: _____

Contact: _____

Date Specified: _____

Specifier: _____

Contractor: _____

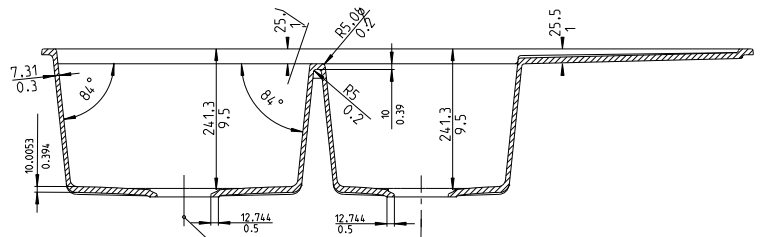
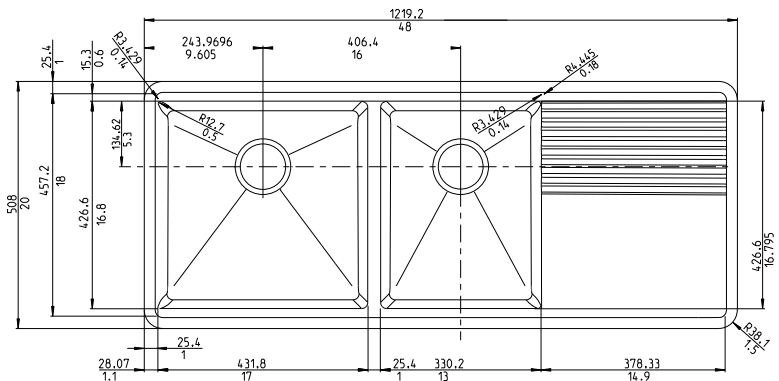


NOMINAL DIMENSIONS

Model 440408 shown

OVERALL	CUT OUT SIZE	BOWL DEPTHS LEFT	BOWL DEPTHS RIGHT	DRAIN
48" x 20"	Template provided with approximate 1/8" reveal	9-1/2"	9-1/2"	3-1/2"

DXF cutout templates (undermount and drop-in) available on our website.



BLANCO AMERICA

800.451.5782

www.blancoamerica.com

© 2013 BLANCO AMERICA

7/13

SPEC-003