

FEATURED MODEL

440519 Pull-Out Spray, SATIN NICKEL

ADDITIONAL MODELS

- 440520 Pull-Out Spray, CHROME
- 440521 Pull-Out Spray, CAFE BROWN
- 441209 Pull-Out Spray, BISCOTTI
- 441210 Pull-Out Spray, ANTHRACITE
- 441328 Pull-Out Spray, TRUFFLE
- 441517 Pull-Out Spray, CINDER

FEATURES

- Solid brass body and pull-out spray
- Ceramic disk cartridge
- Extra long supply lines
- 2.2 GPM flow rate
- Installation in a 1-3/8" hole
- Color coded hot and cold supply lines
- 120 degree spout swivel
- 2" maximum deck thickness

OPTIONAL ACCESSORIES

- Deluxe Soap Dispenser: 440005 (Satin Nickel)
- Meridian Soap Dispenser: 440058 (Satin Nickel)
- Alta Soap Dispenser: 440045 (Satin Nickel)
- Milano Soap Dispenser: 440049 (Satin Nickel)
- Harvest Soap Dispenser: 440053 (Satin Nickel)

CODE/STANDARDS COMPLIANCE

- ASME A112.18.1-2011
- NSF 61 certified
- NSF 61 ANEX G low lead requirements
- CMR 248 - MA

AB1953 Lead Free

WARRANTY

BLANCO'S kitchen and bar faucets feature a LIMITED LIFETIME WARRANTY to be free of all manufacturing defects under normal use. See our complete warranty for details.

While BLANCO endeavors to provide accurate information, all dimensions are nominal, cannot be guaranteed, and are subject to change or cancellation. BLANCO assumes no responsibility for use of superseded or voided specifications.

JOB INFORMATION

Job Name: _____

Contact: _____

Date Specified: _____

Specifier: _____

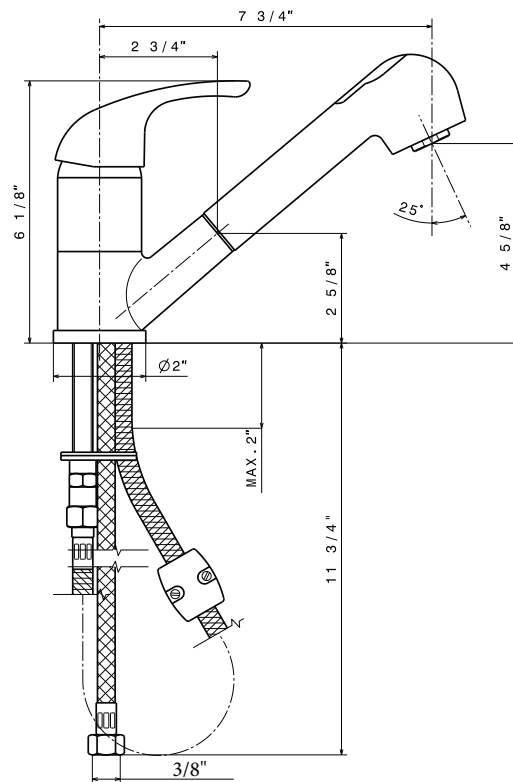
Contractor: _____



Model 440519 shown

NOMINAL DIMENSIONS

REACH	SPOUT HEIGHT	FAUCET HEIGHT
7-3/4"	4-5/8"	6-1/8"



See next page for exploded parts drawing and parts list.

BLANCO AMERICA

800.451.5782

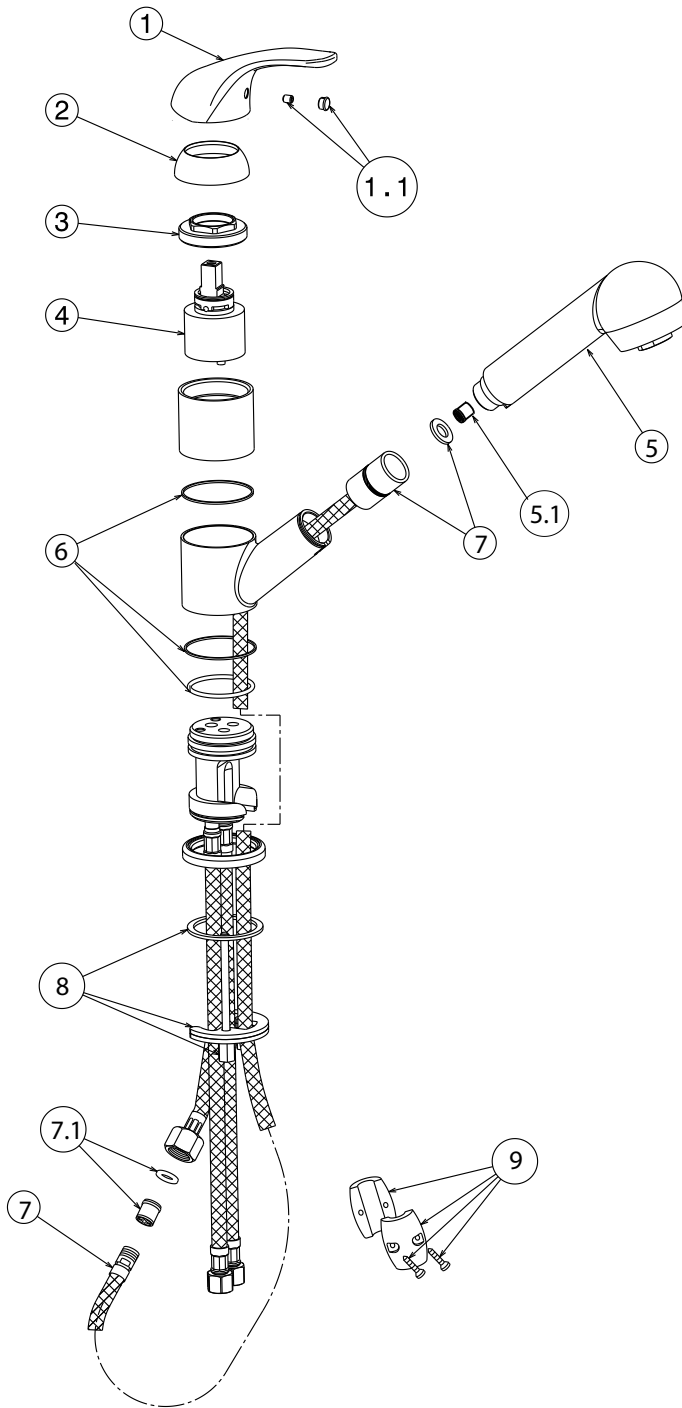
www.blancoamerica.com

© 2013 BLANCO AMERICA

10/14

SPEC-004

Old Model #: 157-184-ST



REPAIR PART GUIDE		
Num.	Description	Part #
1,1.1	Handle - Satin Nickel	441901
1.1	Handle screw and cap	440890
2	Cartridge - Cap	441908
3	Cartridge Lock Nut	441914
4	Cartridge	441058
5,5.1	Handspray - Satin Nickel	441060
5.1	Flow regulator 2.2	441448
6	Ring set	441915
7	Hose kit	441111
7.1	Flow regulator/check valve	441713
8	Mounting set	441918
9	Weight	441917

Need to Change a Faucet Cartridge?



Scan this QR code
to see our how-to video

For faucet technical support or questions,
 please e-mail us at faucets@blancoamerica.com