

### FEATURED MODEL

441023 9" left & 7" right bowl depths

### ADDITIONAL MODELS

441261 Reverse 7" left & 9" right bowl depths

### FEATURES

- 18 gauge, 304 series stainless steel
- 18/10 chrome/nickel content
- Refined Brushed Finish (RBF)
- Easy to install in standard 25" countertop
- Rear drain placement

### CODE/STANDARDS COMPLIANCE

ASME 112.19.3-00

IAPMO/UPC listed

### OPTIONAL ACCESSORIES

Sink Grids: 515300 (Large)  
515297 (Small)

### WARRANTY

Blanco America's BLANCO STELLAR sinks feature a LIMITED LIFETIME WARRANTY to be free of all manufacturing defects under normal use. See our complete warranty for details.

While Blanco America endeavors to provide accurate information, all dimensions are nominal, cannot be guaranteed, and are subject to change or cancellation. Blanco America assumes no responsibility for use of superseded or voided specifications.

### PRODUCT SPECIFICATION

Undermount sink to be 1-3/4 bowl design, 32-1/3" in length and 20-1/2" in front-to-back depth. Sink to be made from 18 gauge, 304 series stainless steel, with 18/10 chrome/nickel content and long-lasting, easy-to-clean, Refined Brushed Finish. Sink to feature rear drain placement. Sink to be Blanco Model 441023 with left bowl depth of 9" and right bowl depth of 7".

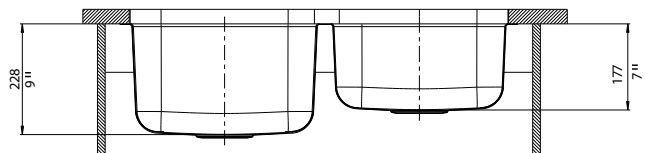
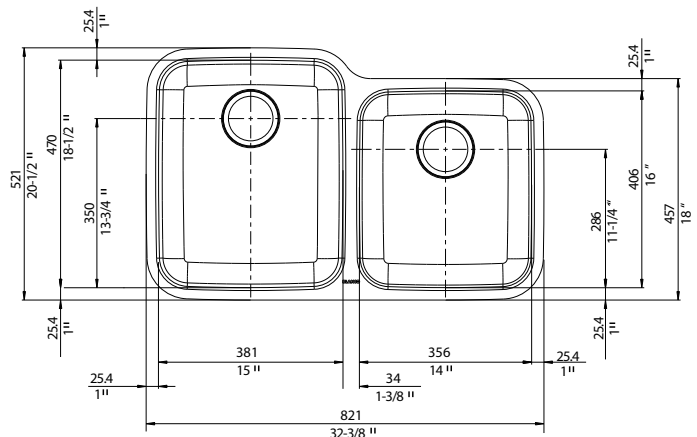


MODEL 441023

### NOMINAL DIMENSIONS

MODEL	OVERALL	BOWL DEPTH		DRAIN DIAMETER
		LEFT	RIGHT	
441023	32-1/3 x 20-1/2	9	7	3-1/2

DXF cutout templates available on our web site.



### JOB INFORMATION

Job Name: \_\_\_\_\_

Contact: \_\_\_\_\_

Date Specified: \_\_\_\_\_

Specifier: \_\_\_\_\_

Contractor: \_\_\_\_\_

BLANCO AMERICA  
800.451.5782  
www.blancoamerica.com

© 2008 BLANCO AMERICA  
11/08

SPEC-003