

### FEATURED MODEL

441170 Pot Filler, SATIN NICKEL

### ADDITIONAL MODELS

441171 Pot Filler, CHROME

441180 Pot Filler, CAFE BROWN

### FEATURES

- Wall mounted pot filler
- Solid brass body and dual quarter-turn shut-off valves
- Cold water only, non-mixing valve
- Unique swivel aerator provides easy use
- Ceramic disk cartridge
- 2.2 GPM flow rate

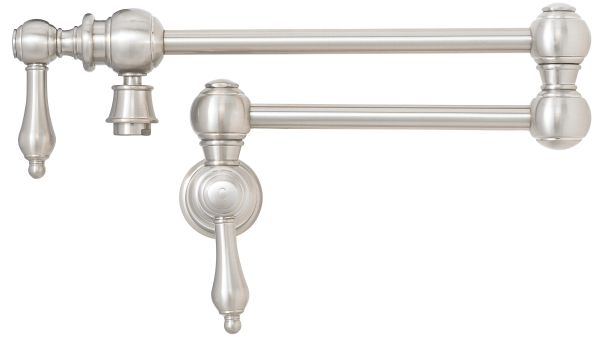
### CODE/STANDARDS COMPLIANCE

ASME A112.18.1-2011

IAPMO listed

CMR 248 - MA

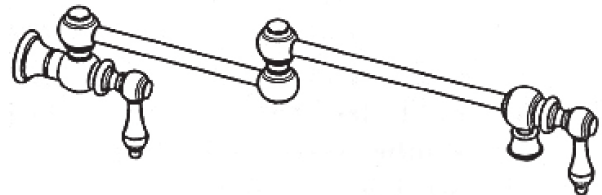
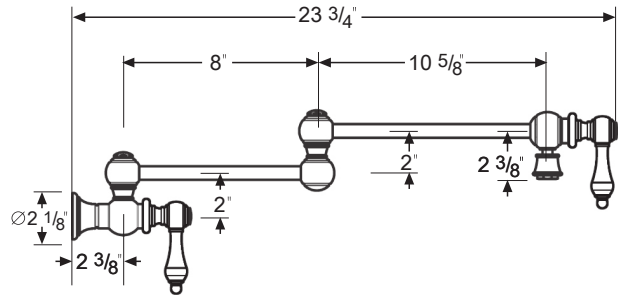
**AB1953 Lead Free**



Model 441170 shown

### NOMINAL DIMENSIONS

EXTENDED LENGTH
23-3/4"



### WARRANTY

BLANCO'S kitchen and bar faucets feature a LIMITED LIFETIME WARRANTY to be free of all manufacturing defects under normal use. See our complete warranty for details.

While BLANCO endeavors to provide accurate information, all dimensions are nominal, cannot be guaranteed, and are subject to change or cancellation. BLANCO assumes no responsibility for use of superseded or voided specifications.

### JOB INFORMATION

Job Name: \_\_\_\_\_

Contact: \_\_\_\_\_

Date Specified: \_\_\_\_\_

Specifier: \_\_\_\_\_

Contractor: \_\_\_\_\_

See next page for exploded parts drawing and parts list.

**BLANCO AMERICA**

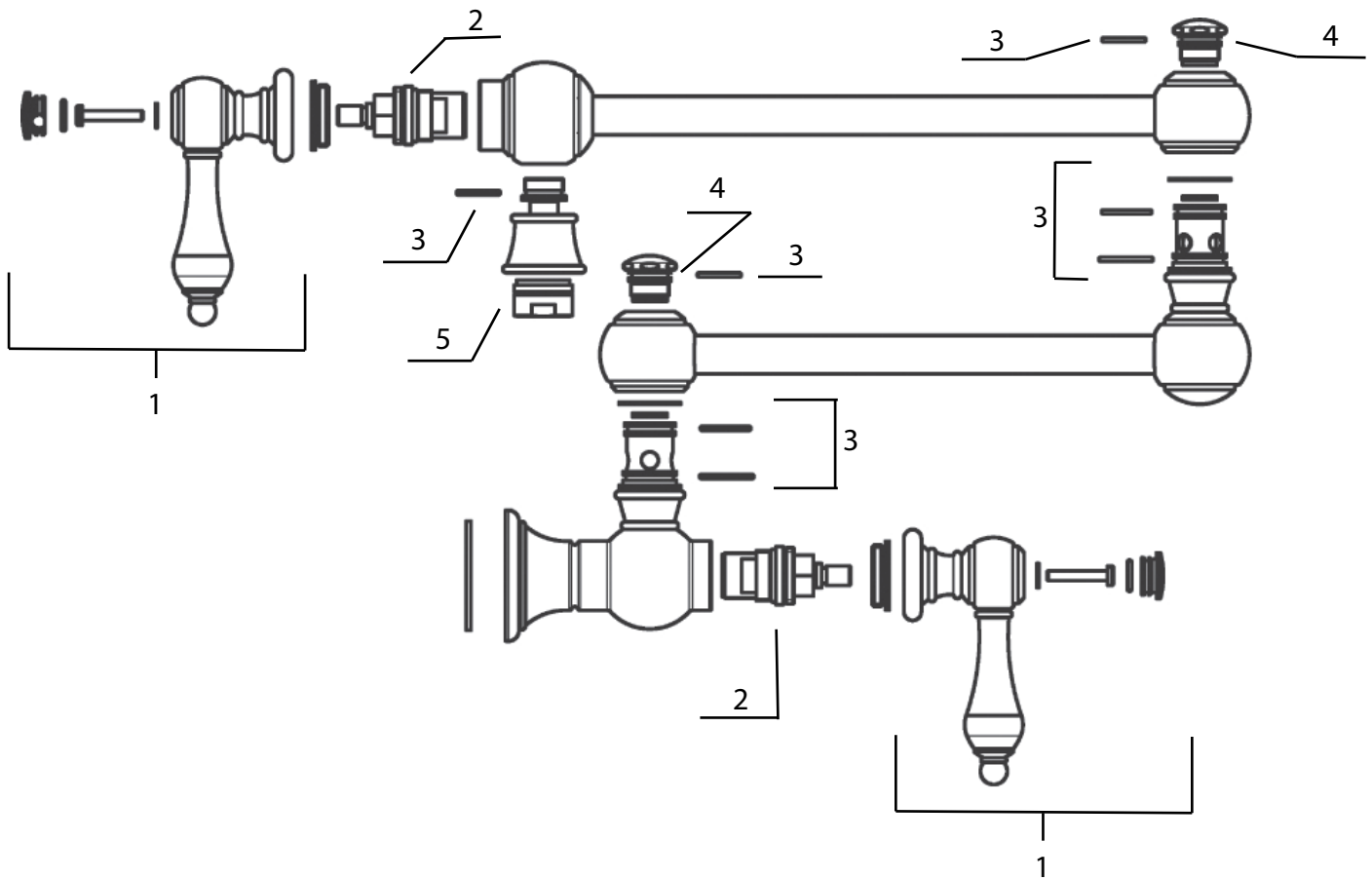
800.451.5782

www.blancoamerica.com

© 2013 BLANCO AMERICA

11/14

SPEC-004



REPAIR PART GUIDE		
Num.	Description	Part #
1	Handle - Satin Nickel	441786
2	Cartridge	440764
3	O-ring and washer kit	441790
4	Hex. Ball screw - Satin Nickel	441949
5	Aerator	441791

For faucet technical support or questions,  
 please e-mail us at [faucets@blancoamerica.com](mailto:faucets@blancoamerica.com)