

FEATURED MODEL

441195 Pot Filler, SATIN NICKEL

ADDITIONAL MODELS

441194 Pot Filler, CHROME

FEATURES

- Wall mounted pot filler
- Dual quarter-turn shut-off valves
- Cold water only, non-mixing valve
- Ceramic disk cartridge
- 2.2 GPM flow rate

CODE/STANDARDS COMPLIANCE

ASME A112.18.1-2011
NSF 61 certified
NSF 61 ANEX G low lead requirements
CMR 248 - MA

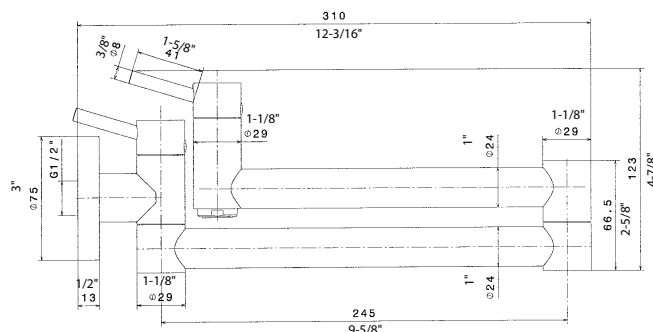
AB1953 Lead Free



Model 441194 shown

NOMINAL DIMENSIONS

EXTENDED LENGTH
21-3/4"



WARRANTY

BLANCO'S kitchen and bar faucets feature a LIMITED LIFETIME WARRANTY to be free of all manufacturing defects under normal use. See our complete warranty for details.

While BLANCO endeavors to provide accurate information, all dimensions are nominal, cannot be guaranteed, and are subject to change or cancellation. BLANCO assumes no responsibility for use of superseded or voided specifications.

JOB INFORMATION

Job Name: _____

Contact: _____

Date Specified: _____

Specifier: _____

Contractor: _____

See next page for exploded parts drawing and parts list.

BLANCO AMERICA

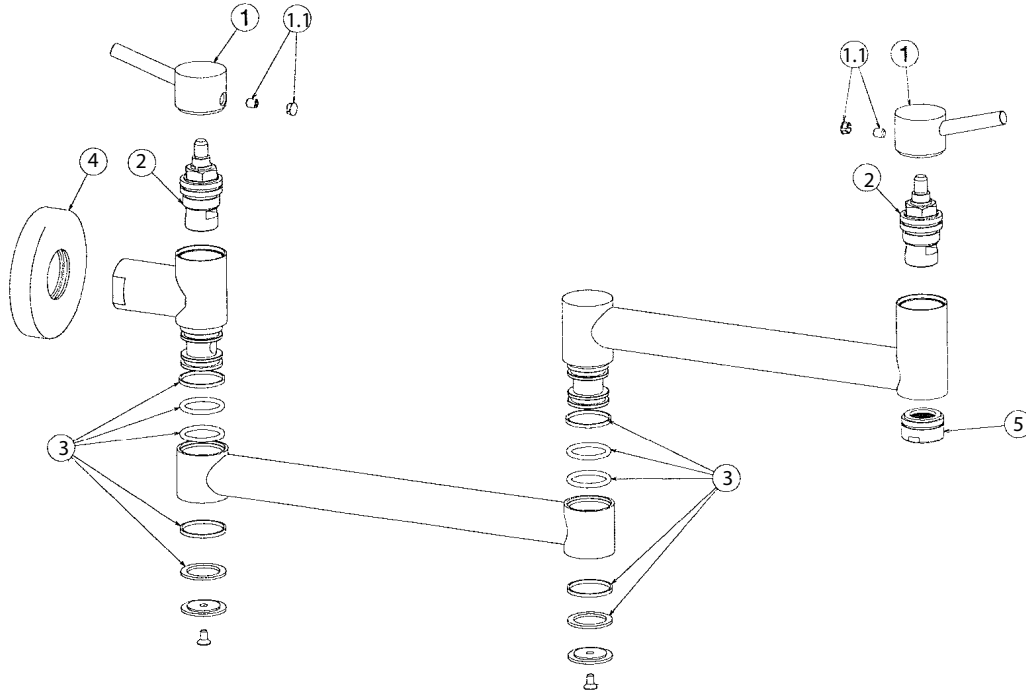
800.451.5782

www.blancoamerica.com

© 2013 BLANCO AMERICA

10/14

SPEC-004



REPAIR PART GUIDE

Num.	Description	Part #
1, 1.1	Handle w/ screw & cap - SN	441855
1.1	Handle - Screw and Cap only	440890
2	Cartridge	440764
3	O-ring set	441856
4	Wall flange	441858
5	Aerator	441748

For faucet technical support or questions,
 please e-mail us at faucets@blancoamerica.com