

FEATURED MODEL

441335 Pull-Out Stream Only, TRUFFLE

ADDITIONAL MODELS

- 441196 Pull-Out Stream Only, CHROME
- 441197 Pull-Out Stream Only, SATIN NICKEL
- 441198 Pull-Out Stream Only, CAFE BROWN
- 441199 Pull-Out Stream Only, ANTHRACITE

FEATURES

- Ceramic disk cartridge
- 2.2 GPM flow rate
- Pull-out single function spray
- Installation in a 1-3/8" hole
- 140 degree spout swivel
- 2" backsplash clearance off center
- 1-3/4" maximum deck thickness

OPTIONAL ACCESSORIES

Milano Soap Dispenser: 441320 (Truffle)

CODE/STANDARDS COMPLIANCE

ASME A112.18.1-2011
NSF 61 certified
NSF 61 ANEX G low lead requirements
CMR 248 - MA

AB1953 Lead Free

WARRANTY

BLANCO'S kitchen and bar faucets feature a LIMITED LIFETIME WARRANTY to be free of all manufacturing defects under normal use. See our complete warranty for details.

While BLANCO endeavors to provide accurate information, all dimensions are nominal, cannot be guaranteed, and are subject to change or cancellation. BLANCO assumes no responsibility for use of superseded or voided specifications.

JOB INFORMATION

Job Name: _____

Contact: _____

Date Specified: _____

Specifier: _____

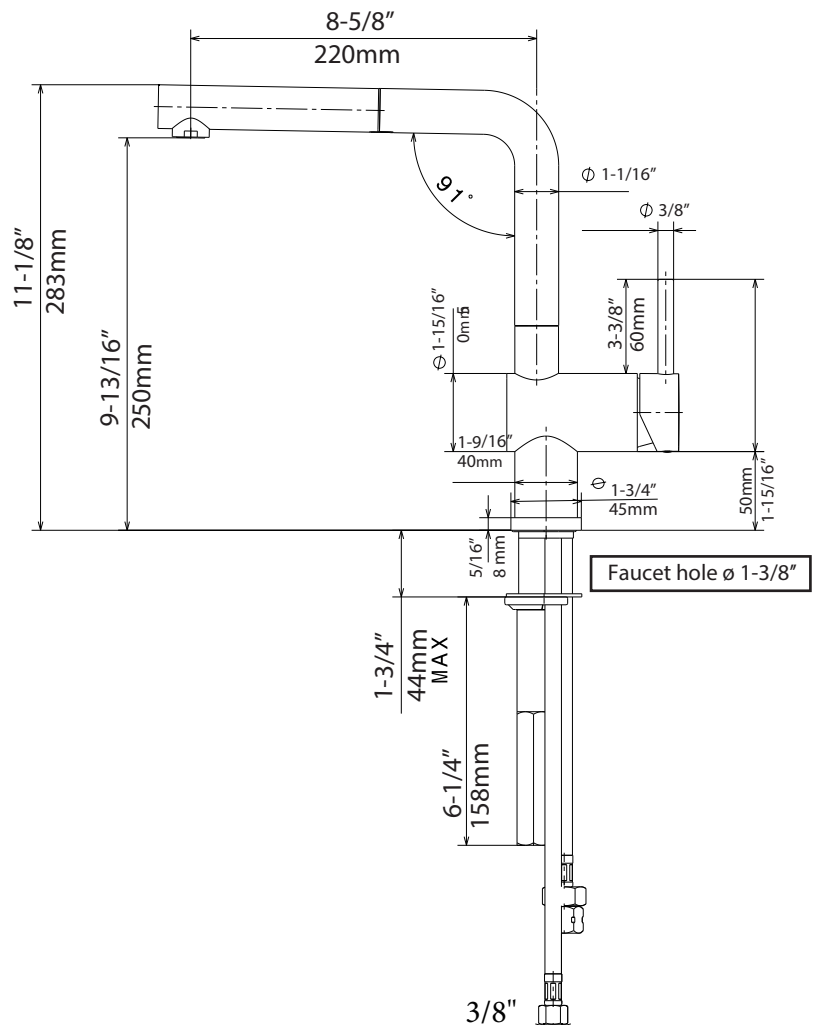
Contractor: _____



NOMINAL DIMENSIONS

Model 441196 shown

REACH	SPOUT HEIGHT	FAUCET HEIGHT
8-1/2"	9-3/4"	11"



See next page for exploded parts drawing and parts list.

BLANCO AMERICA

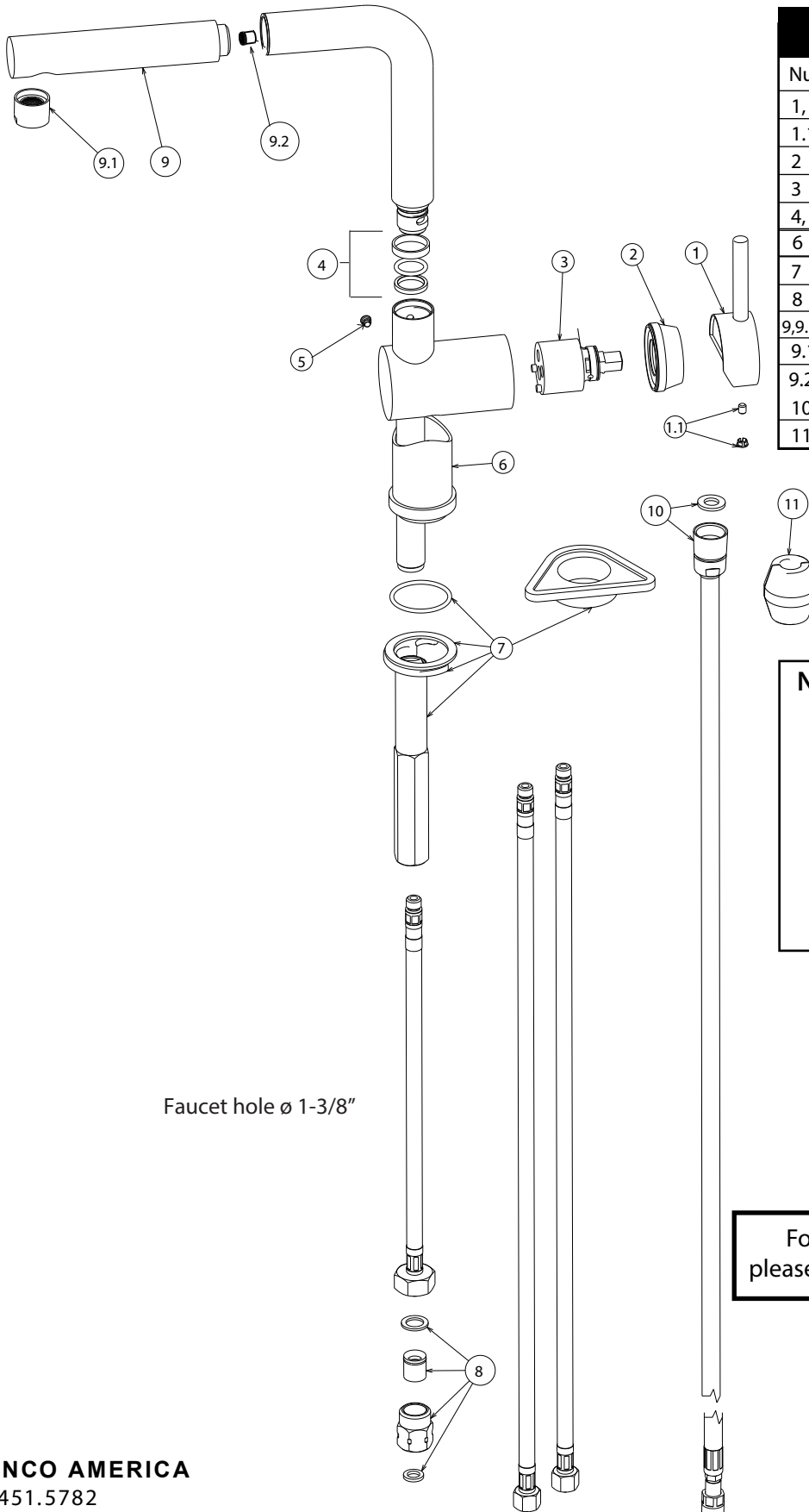
800.451.5782

www.blancoamerica.com

© 2013 BLANCO AMERICA

10/14

SPEC-004



REPAIR PART GUIDE		
Num.	Description	Part #
1, 1.1	Handle - Truffle	441922
1.1	Handle screw and cap	440889
2	Cartridge Lock Nut	441927
3	Cartridge	440877
4, 5	Spout - Ring set and screw	441929
6	Base - Truffle	441974
7	Mounting assembly	441976
8	Check valve assembly 2.2 GPM	441874
9,9.1,9.2	Handspray - Truffle 2.2 GPM	441436
9.1	Aerator	441977
9.2	Flow regulator 2.2 GPM	441448
10	Spray hose	441066
11	Weight	441917

Faucet hole ø 1-3/8"

Need to Change a Faucet Cartridge?



Scan this QR code
to see our how-to video

For faucet technical support or questions,
please e-mail us at faucets@blancoamerica.com