

FEATURED MODEL

518540 30" Front Apron with 9-1/4" bowl depth

ADDITIONAL MODELS

518541 33" Front Apron with 9-1/4" bowl depth
518542 Bar Sink

FEATURES

- Unique apron front REVERSIBLE design allows for both contemporary or traditional decors
- Fireclay material allows for perfect, smooth and easy to clean surface
- Ultra durable surface fired at over 2,100° F
- Center drain location
- No template or DXF file provided, recommend use of sink for determining final cabinet and countertop dimensions
- Limited Lifetime Warranty
- Shown with 3-n-1 drain not included
- Actual weight 80 lbs.

SPECIAL INSTALLATION NOTES -

EXTREME CAUTION: Sinks are extremely heavy. For personal safety, always use extra personal for moving or installation.

REVERSIBLE FRONT APRON: The BLANCO CERANA apron sink is a reversible style design with different installation dimension depending on which front apron side you choose to remain seen after installation. **SPECIAL CARE SHOULD BE TAKEN BY THE COUNTERTOP FABRICATOR TO ENSURE THE CORRECT CUT OUT.** Please note that both long sides of the apron sink have **DIFFERENT RADII** corners which will affect the final installation. Fabricators should take extra care in confirming which front apron side of the sink will be after installation to ensure the stone is cut to the appropriate corner radii.

This installation assumes the use of a custom cabinet & countertop design. BLANCO recommends that a professional installer be used. To achieve the desired finished fit and form, it is critical that the cabinet maker, cabinet installer, and countertop fabricator fully understand the consumer's requirements regarding the final installed look (Either side A or side B facing out).

A custom sink base and support system is required for installation of BLANCO fireclay sinks. The cabinet area beneath the sink **MUST** be reinforced to provide sufficient support. A wood or metal support frame for the sink must support 400 pounds.

WARRANTY

Blanco America's BLANCO CERANA™ Series sinks feature a **LIMITED LIFETIME WARRANTY** to be free of all manufacturing defects under normal use. See our complete warranty for details.

While BLANCO endeavors to provide accurate information, all dimensions are nominal, cannot be guaranteed, and are subject to change or cancellation. BLANCO assumes no responsibility for use of superseded or voided specifications.

CODE/STANDARDS COMPLIANCE

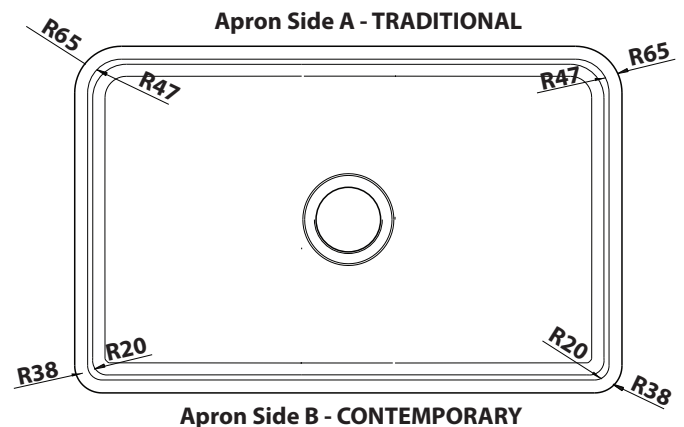
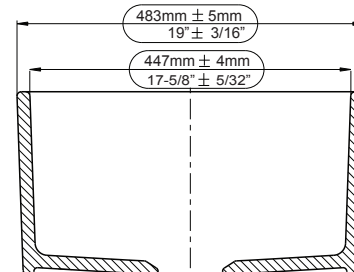
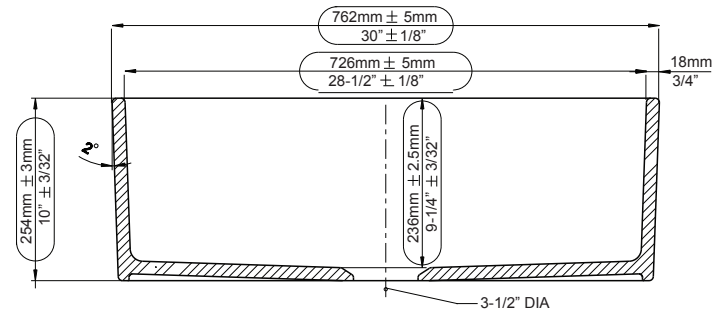
ASME 112.9M-00



MODEL 518540

NOMINAL DIMENSIONS

OVERALL	CUTOUT SIZE	BOWL DEPTH	DRAIN FITTING
30" x 19"	Template not available - Recommend use of actual sink	9-1/4"	3-1/2"



BLANCO

800.451.5782

www.blancoamerica.com

02/11 © 2012 BLANCO SPEC-009