

FEATURED MODEL

441401 Pull-Out with Dual Spray, CHROME

ADDITIONAL MODELS

441402 Pull-Out with Dual Spray, SATIN NICKEL

FEATURES

- Button activated dual spray
- Solid brass body and pull out spray
- Ceramic disk cartridge
- Extra long supply lines
- 2.2 GPM flow rate
- Installation in a 1-3/8" hole
- Color coded hot and cold supply lines
- 130 degree spout swivel
- 1-3/4" maximum deck thickness

OPTIONAL ACCESSORIES

Alta Soap Dispenser: 440046 (Chrome)

CODE/STANDARDS COMPLIANCE

ASME A112.18.1-2011
NSF 61 certified
NSF 61 ANEX G low lead requirements
CMR 248 - MA

AB1953 Lead Free

WARRANTY

BLANCO'S kitchen and bar faucets feature a LIMITED LIFETIME WARRANTY to be free of all manufacturing defects under normal use. See our complete warranty for details.

While BLANCO endeavors to provide accurate information, all dimensions are nominal, cannot be guaranteed, and are subject to change or cancellation. BLANCO assumes no responsibility for use of superseded or voided specifications.

JOB INFORMATION

Job Name: _____

Contact: _____

Date Specified: _____

Specifier: _____

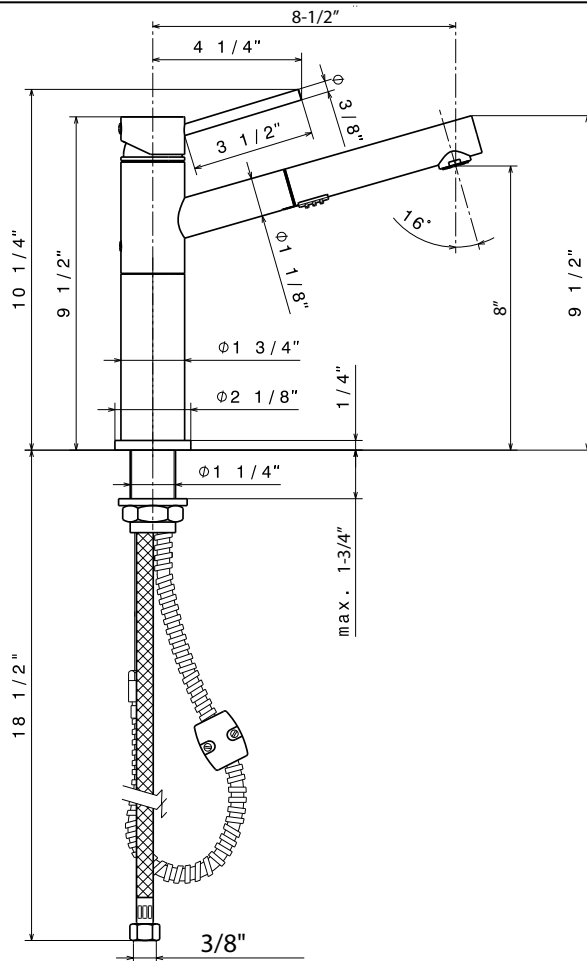
Contractor: _____



Model 441402 shown

NOMINAL DIMENSIONS

REACH	SPOUT HEIGHT	FAUCET HEIGHT
8-1/2"	8"	10-1/4"



See next page for exploded parts drawing and parts list.

BLANCO AMERICA

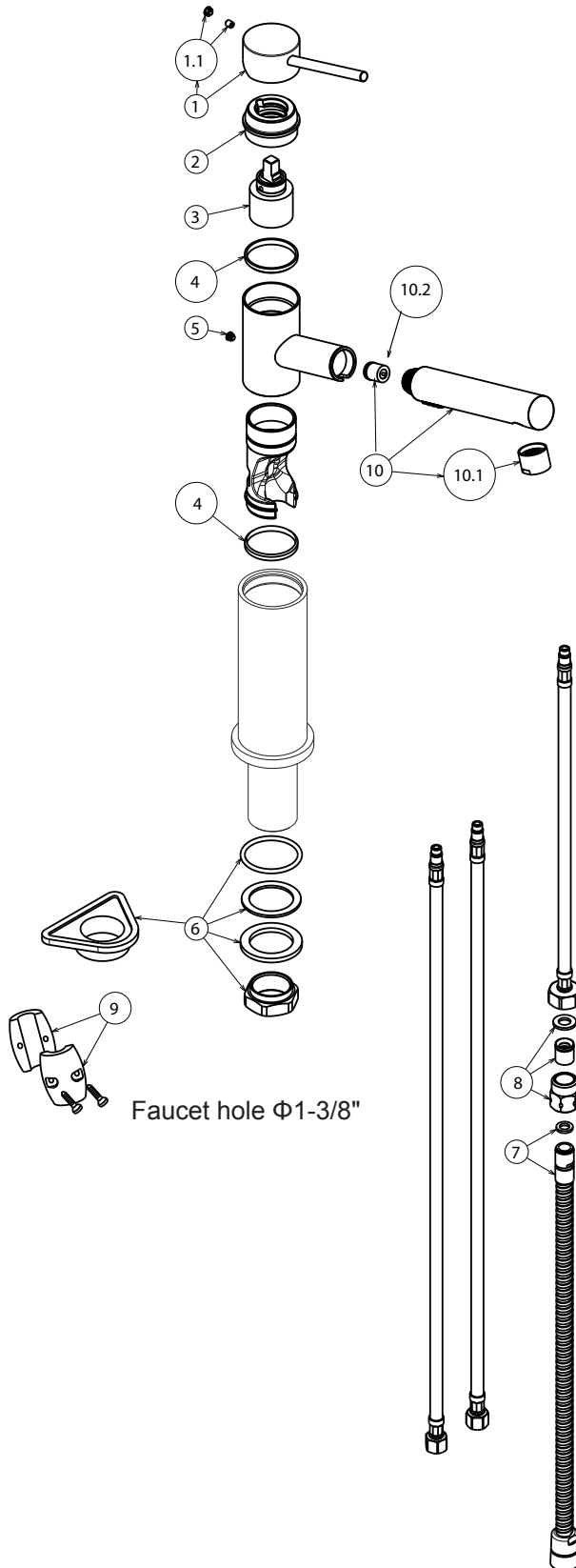
800.451.5782

www.blancoamerica.com

© 2013 BLANCO AMERICA

7/13

SPEC-003



REPAIR PART GUIDE		
Num.	Description	Part #
1, 1.1	Handle - Chrome	441887
1.1	Handle - Screw and Cap	440889
2	Cartridge lock nut	441889
3	Cartridge	440877
4, 5	Inner body ring set and screw	441891
6	Mounting assembly	441892
7	Spray hose	440878
8	Check valve	441874
9	Weight	441917
10	Handspray - Chrome	441447
10.1	Aerator	440905
10.2	Flow Regulator 2.2 GPM	441448

Need to Change a Faucet Cartridge?

Scan this QR code
to see our how-to video

For faucet technical support or questions,
 please e-mail us at faucets@blancoamerica.com