

FEATURED MODEL

441425 Side Spray, CHROME

ADDITIONAL MODELS

441426 Side Spray, SATIN NICKEL

441427 Side Spray, CAFE BROWN

FEATURES

- Solid brass body and all metal side spray
- Meets CALGREEN requirements for water-saving usage
- Ceramic disk cartridge
- Extra long supply lines
- 1.8 GPM flow rate saves 20% more water
- Installation in a 1-3/8" hole
- Color coded hot and cold supply lines
- 360 degree spout swivel
- 2-1/8" maximum deck thickness

OPTIONAL ACCESSORIES

Harvest Soap Dispenser: 440054 (Chrome)

CODE/STANDARDS COMPLIANCE

ASME A112.18.1-2011

IAPMO listed

AB1953 Lead Free

Listed with California Energy Commission

CMR 248 - MA

WARRANTY

BLANCO'S kitchen and bar faucets feature a LIMITED LIFETIME WARRANTY to be free of all manufacturing defects under normal use. See our complete warranty for details.

While BLANCO endeavors to provide accurate information, all dimensions are nominal, cannot be guaranteed, and are subject to change or cancellation. BLANCO assumes no responsibility for use of superseded or voided specifications.

JOB INFORMATION

Job Name: _____

Contact: _____

Date Specified: _____

Specifier: _____

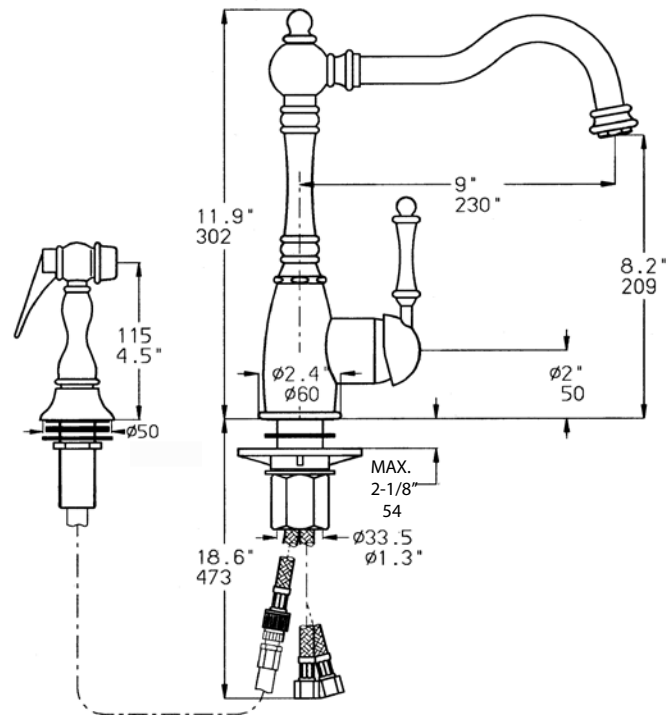
Contractor: _____



Model 441425 shown

NOMINAL DIMENSIONS

REACH	SPOUT HEIGHT	FAUCET HEIGHT
9"	8-1/4"	12"



See next page for exploded parts drawing and parts list.

BLANCO AMERICA

800.451.5782

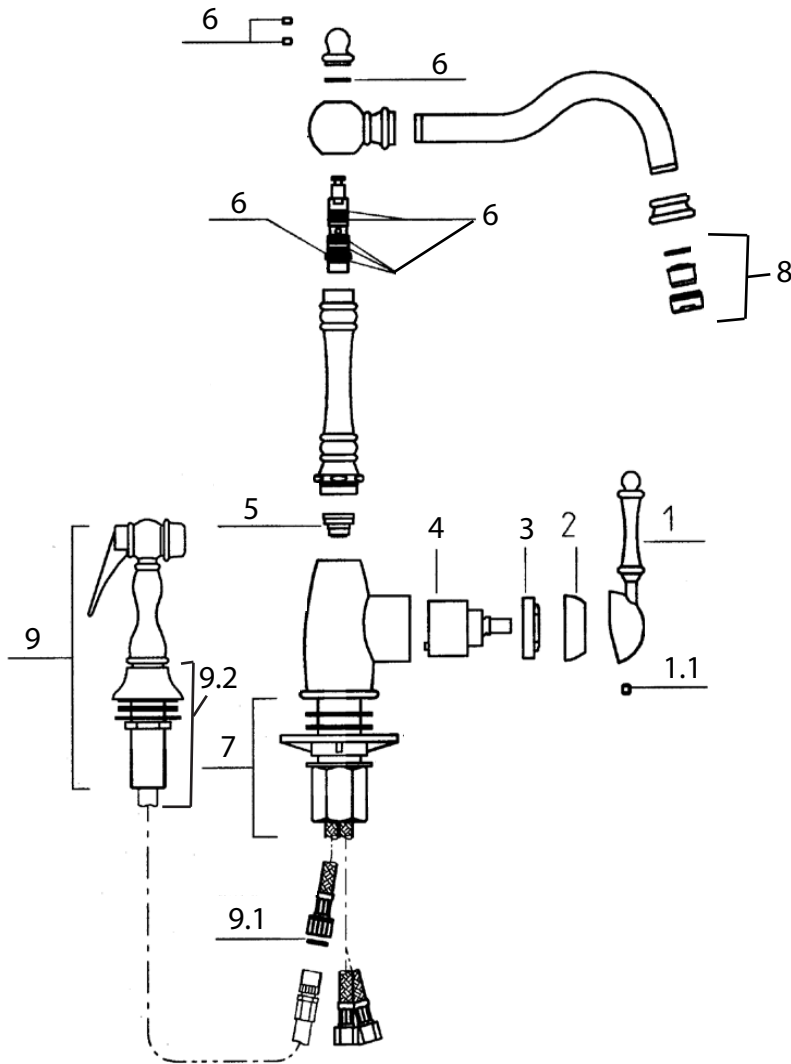
www.blancoamerica.com

© 2013 BLANCO AMERICA

11/14

SPEC-004

Old Model #: 157-052-CR



REPAIR PART GUIDE		
Num.	Description	Part #
1	Handle - Chrome	441846
1.1	Handle - Screw	441806
2	Cartridge Cap	441808
3	Cartridge Lock Nut	441809
4	Cartridge	440768
5	Diverter Tool for Diverter	440765 440753
6	O-ring set w/ spout screw	441849
7	Mounting nut assembly	441835
8	Aerator set 1.8	441947
9	Side spray - Chrome	440743
9.1	Fiber washer	440759
9.2	Side spray base - Chrome	440018

Need to Change a Faucet Cartridge?

Scan this QR code
to see our how-to video

For faucet technical support or questions,
 please e-mail us at faucets@blancoamerica.com